

brother

HIGH SPEED TWIN-NEEDLE OVERLOCK SEWING MACHINE WITH UPPER AND LOWER ADJUSTABLE FEED

DOPPELNADEL-OVERLOCK-SCHNELLNÄHMASCHINE MIT OBER UND UNTERTEIL EINSTELLBAREM TRANSPORTEUR

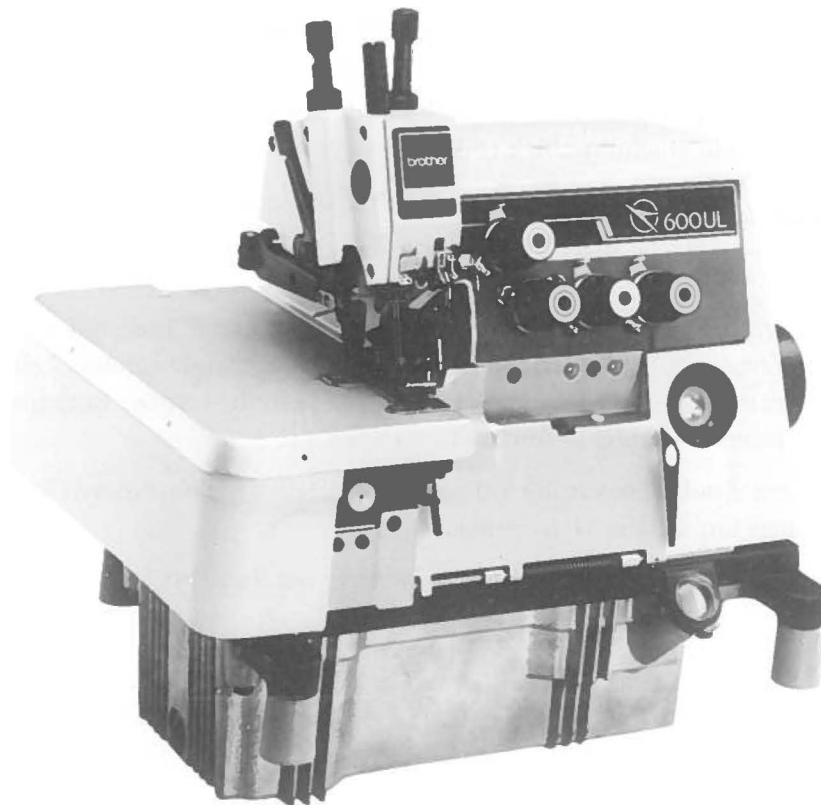
MACHINE A COUDRE A POINTS DE SURJET DEUX AIGUILLES, A GRANDE VITESSE AVEC ENTRAINEMENT REGLABLE SUPERIEUR ET INFERIEUR

MAQUINA DE COSER SOBREORILLADORA RAPIDA CON AGUJA DOBLE Y ALIMENTACION AJUSTABLE SUPERIOR E INFERIOR



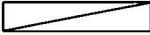
**EF4-B681
B682**

**PARTS BOOK
TEILEKATALOG
LIVRE DES PIECES
LIBRO DE REFERENCIA DE PIEZAS**




P681102




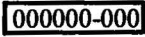
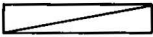
Notes for using this parts book

1. This book is applicable to sewing machines which have the same plate number as shown on the cover of this book (or correction sheet).
2. If the symbol  or  is in the "Parts No." column or the "Assembly No." column, please refer to the different parts list (page 26).
3. The symbol  in the "Parts No." column indicates that the Parts is not available for supply. If, however, there is a number in the "Assembly No." column, the parts can be ordered as an assembly. Please, therefore, order by using the assembly number.
4. If the * symbol is found before the Parts No., order this parts together with its paired parts.
5. This book was prepared based on information available in June 1983.
6. Parts are subject to changes in design without prior notice.

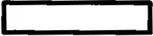
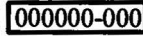
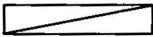
Anmerkungen zum Gebrauch dieses Stücklistebuches

1. Dieses Buch bezieht sich auf die Nähmaschinen mit derselben Kennungsnummer wie auf diesem Buchumschlag (oder auf dem Korrekturblatt).
2. Wenn in der stücknummer oder Gerätesatznummer Spalte des Zeichen  der  steht, schlagen Sie bitte bei der gesonderte Stückliste (Seite 26) nach.
3. Dieses Zeichen  in der Spalte "Teilnummer" bedeutet, daß dieser Teil nicht lieferbar ist. Wenn jedoch in der Spalte "Gerätesatznummer" eine Nummer steht, kann dieser Teil als ein Geräteteilsatz bestellt werden. Bestellen Sie daher bitte mit dieser Gerätesatznummer.
4. Bei diesem Zeichen * vor der Teilnummer bestellen Sie bitte diesen Teil Paarweise, zusammen mit seinem Gegenstück.
5. Dieses Buch basiert auf den Informationen vom Juni 1983.
6. Modelländerungen sind vorbehalten.

Notes sur l'utilisation de ce manuel de pièces détachées

1. Ce manuel est destiné aux machines à coudre ayant le même numéro de plaque montré sur la couverture de ce manuel (ou sur la feuille de corrections).
2. Si le symbole  ou  est présent dans la colonne "No. de pièce" ou dans la colonne "No. de ensemble", se référer à la liste de pièces annexe (page 26).
3. Le symbole  dans la colonne "N° de pièce" signifie que la pièce ne peut être fournie. Si, dans la colonne "N° jeu de pces", il y a un numéro de nomenclature, la pièce peut être commandée comme faisant partie d'un jeu de pièces. Donc, pour toute commande, veuillez spécifier le n° du jeu de pièces.
4. Si, devant le n° de pièce, il y a le symbole *, veuillez commander cette pièce avec sa pièce appariée.
5. Ce manuel a été fait d'après les renseignements valables au mois de Juin 1983.
6. Les pièces peuvent être sujettes à des modifications sans préavis.

Notas para usar este Libro de Piezas

1. Este libro sirve para todas las máquinas de coser que llevan la misma placa de identificación que la que se puede ver en la tapa de este libro (o en la hoja de erratas).
2. De haber un símbolo  o el  en la columna del "Número de Pieza" o en la del "Número de Juego", habrá que ver la lista de piezas separada (página 26).
3. El símbolo , que se encuentra en la columna del "Número de Pieza", quiere decir que no se dispone de dicha pieza sola. Cuando, empero, hay un número en la columna del "Número de Juego", se podrá ordenar la pieza con todo el juego. Por lo tanto, será mejor hacer el pedido recurriendo al número del juego respectivo.
4. Si antes del número de una pieza, se encuentra el símbolo *, habrá que ordenar dicha pieza junto con la otra con la que va la misma.
5. Este libro ha sido compilado basándose en los datos de que se disponía en Junio de 1983.
6. Las piezas quedan sujetas a cambios de diseño sin aviso previo.

CONTENTS

| | |
|-------------------------------------|----|
| A. Machine body (1) | 1 |
| A. Machine body (2) | 2 |
| A. Machine body (3) | 3 |
| B. Crank shaft mechanism | 4 |
| C. Needle bar mechanism (1) | 5 |
| C. Needle bar mechanism (2) | 6 |
| D. Needle cooler | 7 |
| E. Presser foot mechanism (1) | 8 |
| E. Presser foot mechanism (2) | 9 |
| F. Feed mechanism (1) | 10 |
| F. Feed mechanism (2) | 11 |
| F. Feed mechanism (3) | 12 |
| G. Upper feed mechanism (1) | 13 |
| G. Upper feed mechanism (2) | 14 |
| H. Knife mechanism | 15 |
| J. Over looper mechanism | 16 |
| K. Under looper mechanism | 17 |
| L. Lubrication (1) | 18 |
| L. Lubrication (2) | 19 |
| M. Thread tension | 20 |
| N. Shirring Attachment (1) | 21 |
| N. Shirring Attachment (2) | 22 |
| N. Shirring Attachment (3) | 23 |
| Z. Accessories (1) | 24 |
| Z. Accessories (2) | 25 |
| DIFFERENT PARTS LIST | 26 |
| INDEX | 31 |

INHALTSVERZEICHNIS

| | |
|---------------------------------------|----|
| A. Maschinengehäuse (1) | 1 |
| A. Maschinengehäuse (2) | 2 |
| A. Maschinengehäuse (3) | 3 |
| B. Kurbelwelle | 4 |
| C. Nadelstangenvorrichtung (1) | 5 |
| C. Nadelstangenvorrichtung (2) | 6 |
| D. Nadelkühlungsvorrichtung | 7 |
| E. Stoffdrückerfuß (1) | 8 |
| E. Stoffdrückerfuß (2) | 9 |
| F. Transportvorrichtung (1) | 10 |
| F. Transportvorrichtung (2) | 11 |
| F. Transportvorrichtung (3) | 12 |
| G. Obertransportvorrichtung (1) | 13 |
| G. Obertransportvorrichtung (2) | 14 |
| H. Messer | 15 |
| J. Oberen Greifer | 16 |
| K. Unterer Greifer | 17 |
| L. Schmierung (1) | 18 |
| L. Schmierung (2) | 19 |
| M. Fadenspannung | 20 |
| N. Kräuselvorrichtung (1) | 21 |
| N. Kräuselvorrichtung (2) | 22 |
| N. Kräuselvorrichtung (3) | 23 |
| Z. Zubehör (1) | 24 |
| Z. Zubehör (2) | 25 |
| ZUBEHÖRLISTE | 26 |
| VERZEICHNIS | 31 |

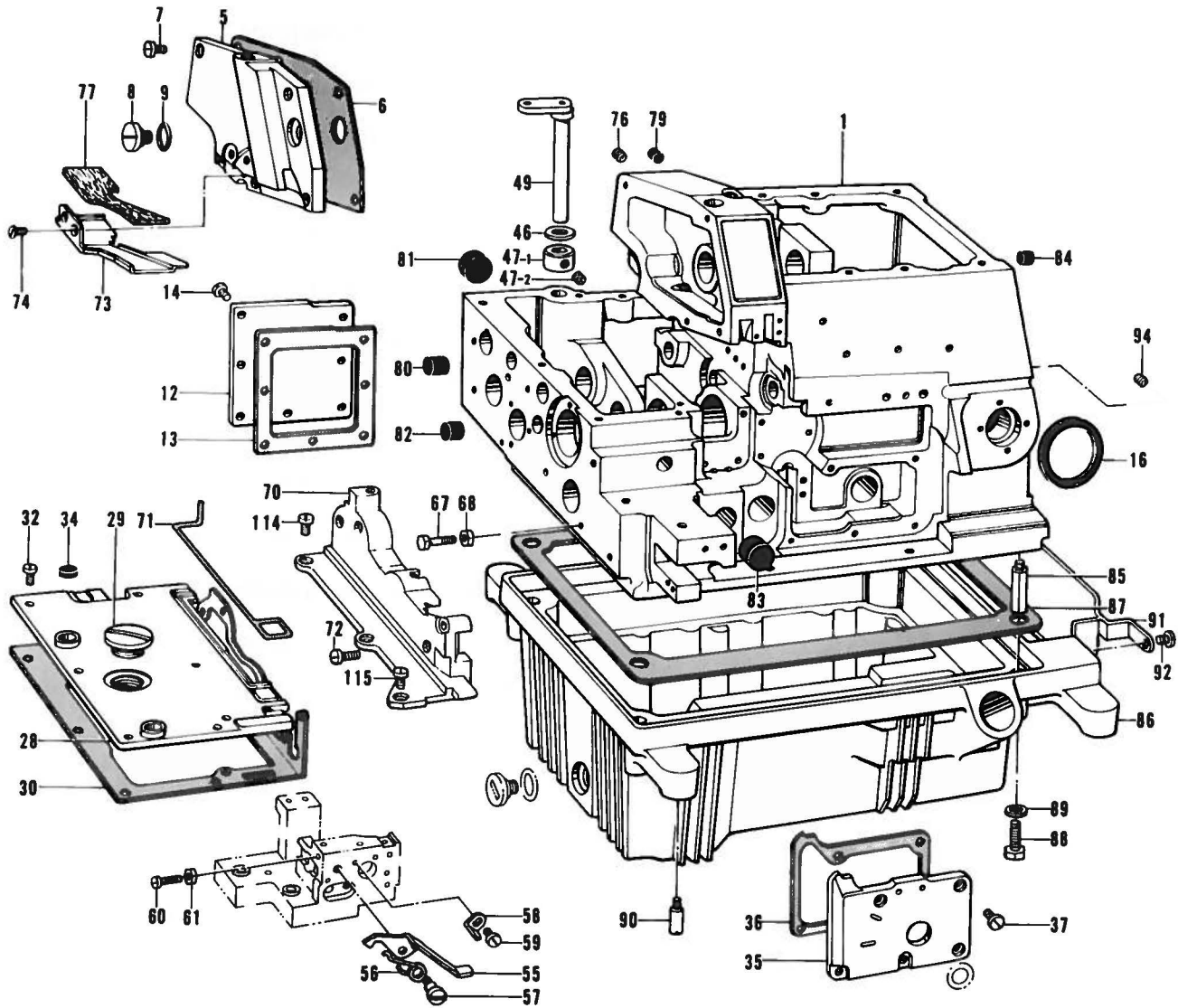
TABLE DES MATIERES

| | |
|-------------------------------------------------------|----|
| A. Corps de la machine (1) | 1 |
| A. Corps de la machine (2) | 2 |
| A. Corps de la machine (3) | 3 |
| B. Mécanisme du vilebrequin | 4 |
| C. Mécanisme de la barre à aiguille (1) | 5 |
| C. Mécanisme de la barre à aiguille (2) | 6 |
| D. Mécanisme du refroidisseur d'aiguille | 7 |
| E. Mécanisme du pied presseur (1) | 8 |
| E. Mécanisme du pied presseur (2) | 9 |
| F. Mécanisme de l'entraînement (1) | 10 |
| F. Mécanisme de l'entraînement (2) | 11 |
| F. Mécanisme de l'entraînement (3) | 12 |
| G. Mécanisme de l'entraînement supérieur (1) | 13 |
| G. Mécanisme de l'entraînement supérieur (2) | 14 |
| H. Mécanisme du couteau | 15 |
| J. Mécanisme du boucleur supérieur | 16 |
| K. Mécanisme du boucleur inférieur | 17 |
| L. Lubrification (1) | 18 |
| L. Lubrification (2) | 19 |
| M. Tension du fil | 20 |
| N. Accessoire pour fronces (1) | 21 |
| N. Accessoire pour fronces (2) | 22 |
| N. Accessoire pour fronces (3) | 23 |
| Z. Accessoires (1) | 24 |
| Z. Accessoires (2) | 25 |
| LISTE DES PIECES ACCESSOIRES | 26 |
| INDEX | 31 |

INDICE

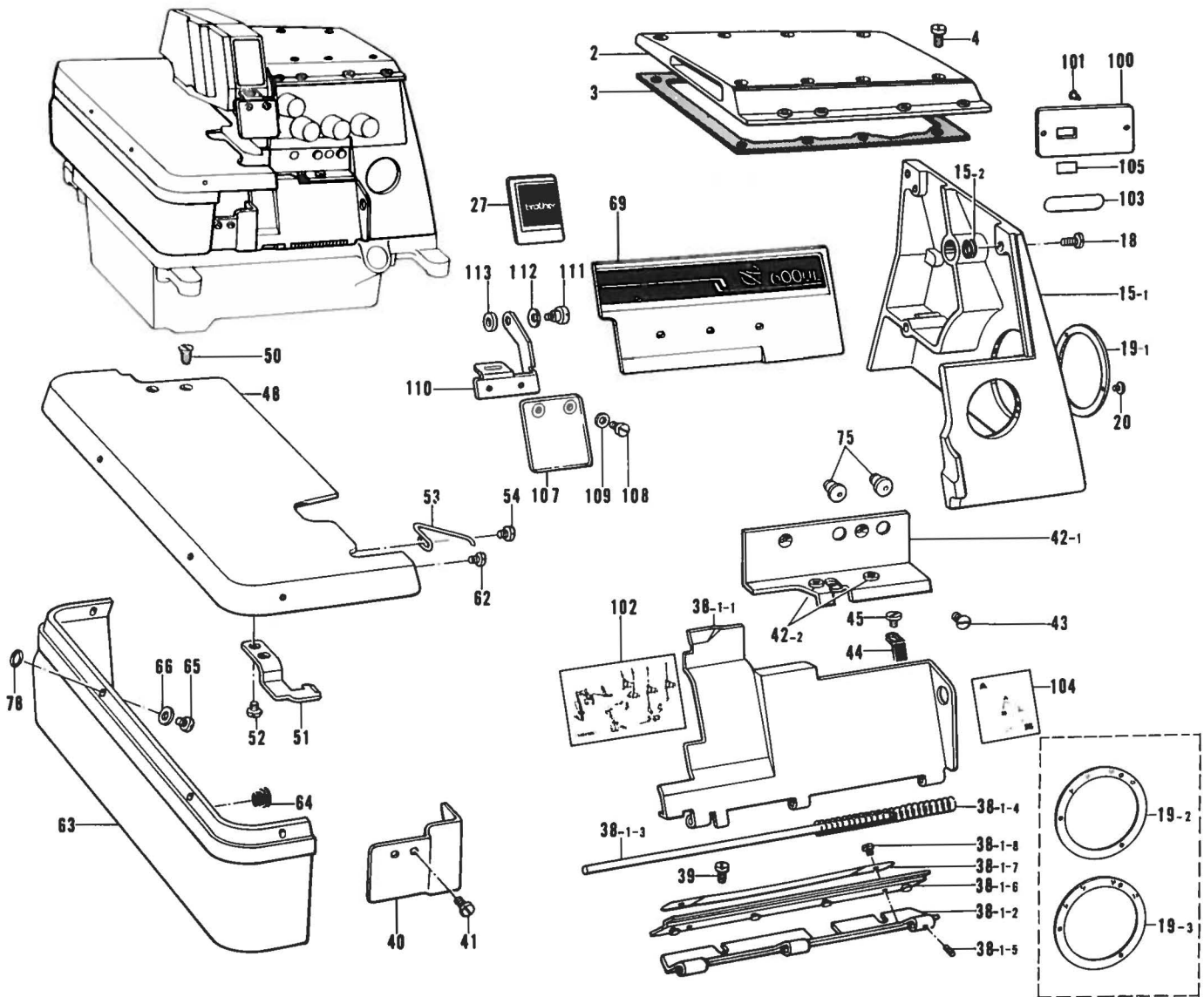
| | |
|-------------------------------------------------------|----|
| A. Cuerpo de la máquina (1) | 1 |
| A. Cuerpo de la máquina (2) | 2 |
| A. Cuerpo de la máquina (3) | 3 |
| B. Mecanismo del cigüeñal | 4 |
| C. Mecanismo del barra de aguja (1) .. | 5 |
| C. Mecanismo del barra de aguja (2) .. | 6 |
| D. Mecanismo del enfriador de aguja | 7 |
| E. Mecanismo del prensa telas (1) | 8 |
| E. Mecanismo del prensa telas (2) | 9 |
| F. Mecanismo de la alimentación (1) .. | 10 |
| F. Mecanismo de la alimentación (2) .. | 11 |
| F. Mecanismo de la alimentación (3) .. | 12 |
| G. Mecanismo de la alimentación superior (1) | 13 |
| G. Mecanismo de la alimentación superior (2) | 14 |
| H. Mecanismo del cuchilla | 15 |
| J. Mecanismo del presilladora superior | 16 |
| K. Mecanismo del presilladora inferior | 17 |
| L. Lubricación (1) | 18 |
| L. Lubricación (2) | 19 |
| M. Tension del hilo | 20 |
| N. Accesorio de tundido (1) | 21 |
| N. Accesorio de tundido (2) | 22 |
| N. Accesorio de tundido (3) | 23 |
| Z. Accesorios (1) | 24 |
| Z. Accesorios (2) | 25 |
| LISTA DE PIEZAS ACCESORIAS | 26 |
| INDICE | 31 |

A. Machine body (1) / Maschinengehäuse (1)
 Corps de la machine (1) / Cuerpo de la máquina (1)



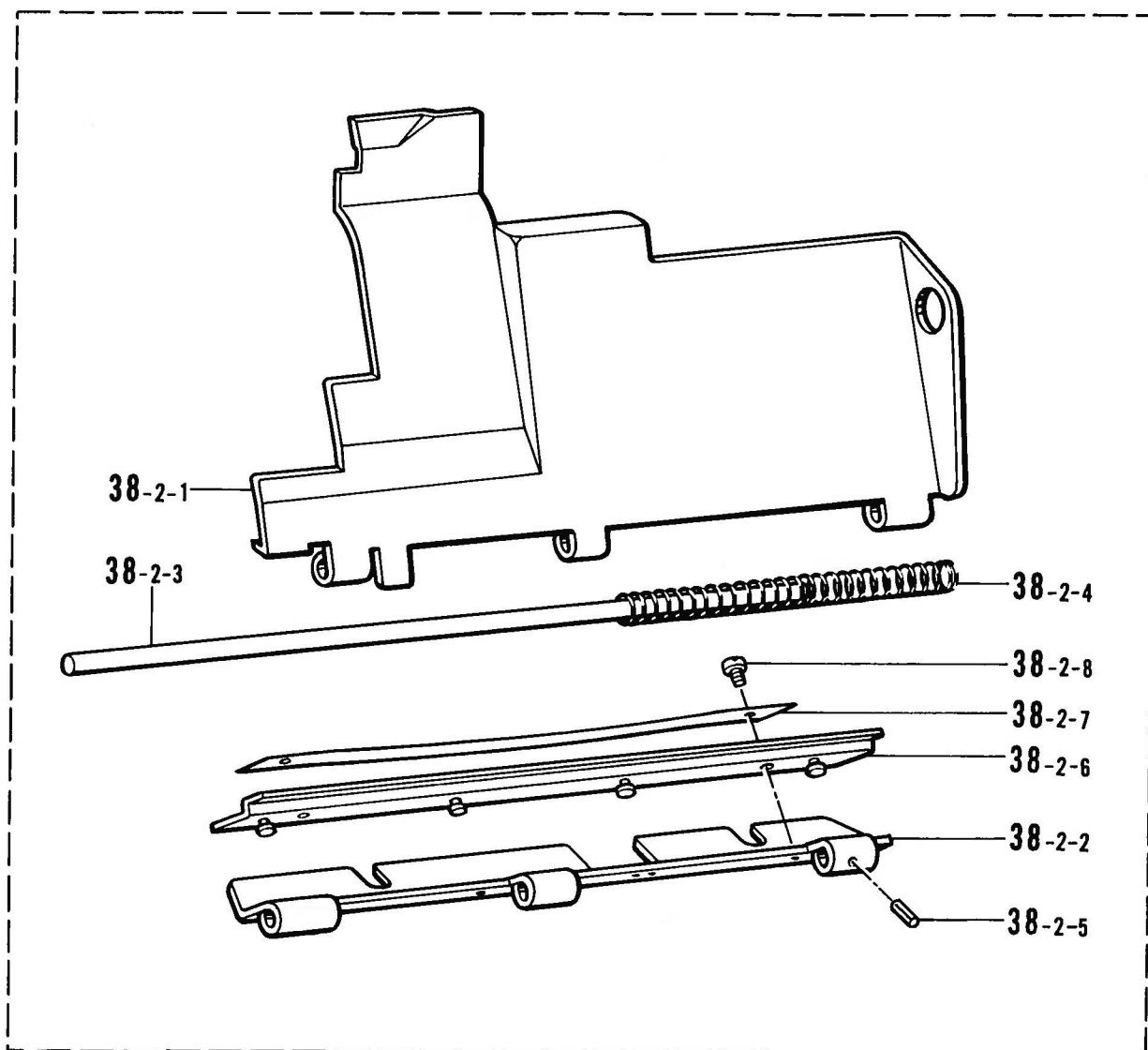
| Ref. No. | Name of Parts | Q'ty | Parts No. | Assembly No. | Ref. No. | Name of Parts | Q'ty | Parts No. | Assembly No. |
|----------|------------------------------------|------|------------|---------------------------------------|----------|---------------------|------|------------|--------------|
| 1 | Machine body | 1 | | | 60 | Screw 3.57 x 14 | 1 | 009671-412 | |
| 5 | Cover for Needle Driving Mechanism | 1 | S00092-001 | | 61 | Nut 3.57 | 1 | 021670-202 | |
| 6 | Packing | 1 | S00007-000 | | 67 | Bolt 4.37 | 2 | 154835-001 | |
| 7 | Screw 4.37 x 7 | 6 | 009680-712 | | 68 | Nut 4.37 | 2 | 105234-003 | |
| 8 | Screw 9.52 | 1 | S00008-001 | | 70 | Upper Feed Cover | 1 | S00105-101 | |
| 9 | "O" Ring | 1 | 109203-001 | | 71 | Packing | 1 | S00333-000 | |
| 12 | Cover for Feed Mechanism | 1 | S00093-001 | | 72 | Screw 3.57 x 18 | 4 | 009671-812 | |
| 13 | Packing | 1 | S00094-000 | | 73 | Cloth Guide (S) | 1 | S00108-001 | |
| 14 | Screw 4.37 | 7 | 107407-003 | | 74 | Screw 3.57 | 2 | 108960-002 | |
| 16 | Rubber | 1 | S00010-000 | | 76 | Screw 5.95 | 2 | 013760-612 | |
| 28 | Cover for Feed Mechanism | 1 | S00099-100 | | 77 | Felt | 1 | S00146-000 | |
| 29 | Oil Cap | 1 | S00016-001 | | 79 | Oil Cap | 1 | 142274-001 | |
| 30 | Packing | 1 | S00334-000 | | 80 | Oil Cap | 1 | 146315-000 | |
| 32 | Screw 4.37 x 7 | 4 | 009680-712 | | 81 | Oil Cap | 1 | 140066-001 | |
| 34 | Oil Cap | 2 | 143766-001 | | 82 | Oil Cap | 1 | 140361-001 | |
| 35 | Inside Cover | 1 | 154819-000 | | 83 | Oil Cap | 1 | 154841-001 | |
| 36 | Packing | 1 | 154820-000 | | 84 | Oil Cap | 1 | 146315-000 | |
| 37 | Screw 3.57 x 8 | 5 | 009670-812 | | 85 | Machine Body Leg | 4 | 148085-001 | |
| 46 | Washer | 1 | 141183-000 | | 86 | Oil Reservoir | 1 | S00019-001 | |
| 47-1 | Set Collar | 1 | | A-47 Set Collar with Screw 181969-003 | 87 | Packing | 1 | S00021-000 | |
| 47-2 | Screw 6.35 | 2 | 101706-001 | | 88 | Bolt 6.35 x 16 | 4 | 017771-612 | |
| 49 | Cloth Plate Supporter | 1 | S00017-001 | | 89 | Washer | 4 | 159476-000 | |
| 55 | Cloth Plate Lever | 1 | 154833-001 | | 90 | Set Pin for Cushion | 4 | 140077-001 | |
| 56 | Spring | 1 | 146452-001 | | 91 | Wind Guide Plate | 1 | S00022-001 | |
| 57 | Screw 3.57 | 1 | 146453-001 | | 92 | Screw 4.37 x 6 | 2 | 009680-612 | |
| 58 | Cloth Plate Lever Stopper | 1 | 146454-001 | | 94 | Screw 6.35 | 2 | 014780-622 | |
| 59 | Screw 3.57 x 6 | 1 | 009670-612 | | 114 | Screw 4.37 x 10 | 2 | 007681-012 | |
| | | | | | 115 | Screw 3.57 x 10 | 1 | 009671-012 | |

**A. Machine body (2) / Maschinengehäuse (2)
Corps de la machine (2) / Cuerpo de la máquina (2)**



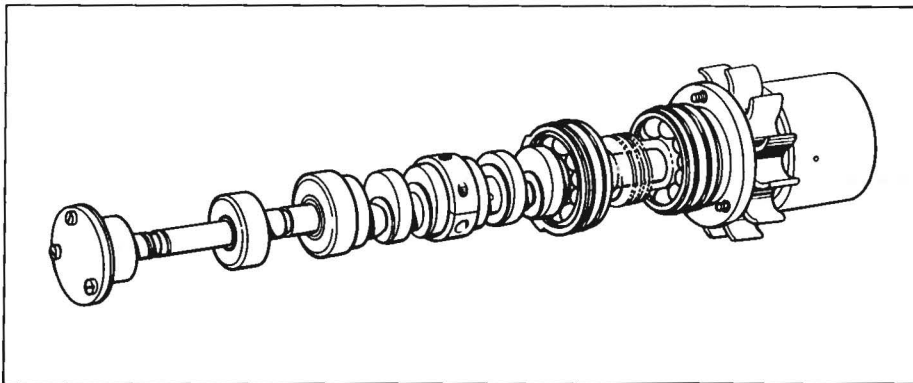
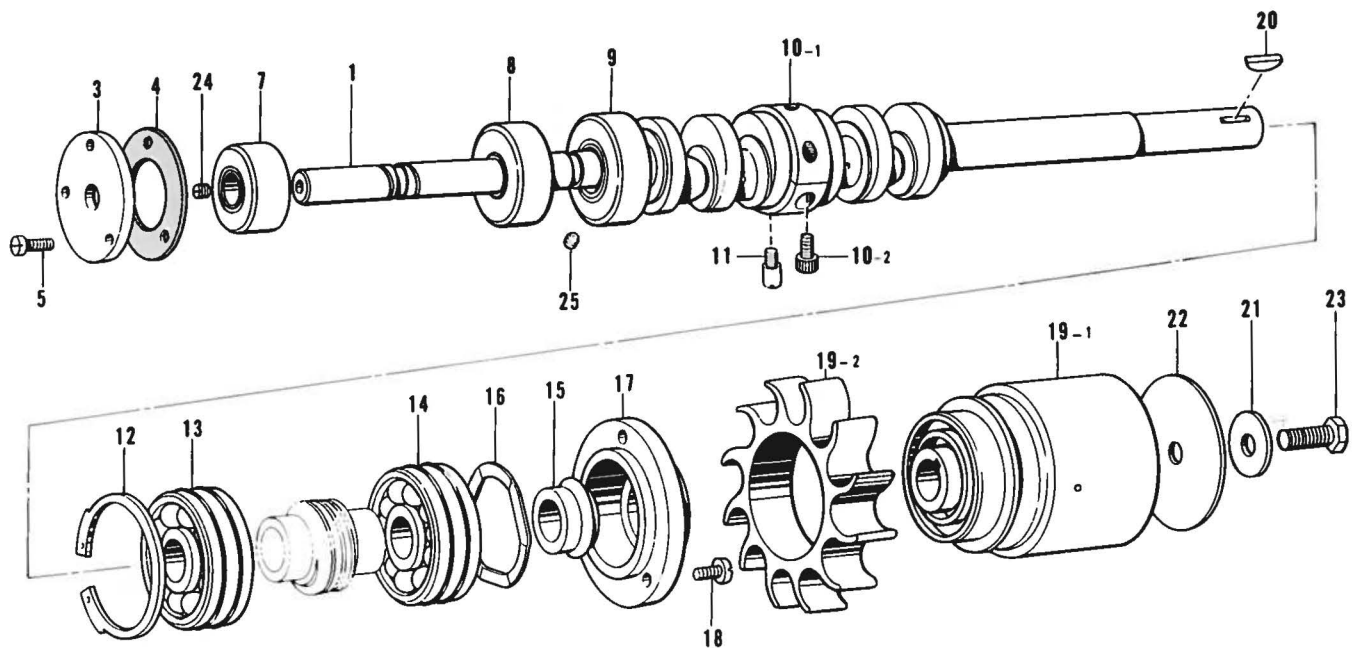
| Ref. No. | Name of Parts | Q'ty | Parts No. | Assembly No. | Ref. No. | Name of Parts | Q'ty | Parts No. | Assembly No. |
|----------|------------------------------------------------|------|------------|----------------------------------------------------------------|----------|--------------------------------|------|------------|--------------|
| 2 | Top Cover Assembly | 1 | S00002-001 | | 44 | Stopper Spring for Front Cover | 1 | 154829-001 | |
| 3 | Packing | 1 | S00004-000 | | 45 | Screw 3.57 x 4.5 | 1 | 123185-001 | |
| 4 | Screw 4.37 x 12 | 8 | 009681-212 | | 48 | Cloth Plate | 1 | S00101-001 | |
| 15-1 | Belt Cover | 1 | | A-15 Belt Cover Assembly S00284-001 | 50 | Screw 4.37 | 2 | 100032-003 | |
| 15-2 | Washer | 4 | 155520-000 | | 51 | Stopper for Cloth Plate | 1 | 154832-001 | |
| 18 | Screw 4.37 x 10 | 4 | 009681-012 | | 52 | Screw 3.57 x 5 | 2 | 001670-512 | |
| 19-1 | Stitch Length Control Plate | 1 | S00095-001 | | 53 | Spring | 1 | 146450-001 | |
| 19-2 | Stitch Length Control Plate (Bulky) | 1 | S01089-001 | | 54 | Screw 3.57 x 5 | 1 | 001670-512 | |
| 19-3 | Stitch Length Control Plate (Shirring, Piping) | 1 | S01090-001 | | 62 | Screw 3.57 x 5 | 1 | 007670-513 | |
| 20 | Screw 2.38 | 3 | 105288-001 | | 63 | Cloth Plate Lower | 1 | S00103-001 | |
| 27 | Name Plate | 1 | S00098-001 | | 64 | Oil Cap | 2 | 104450-001 | |
| 38-1-1 | Front Cover | 1 | | A-38-1 Front Cover Assembly 154857-001 (2 mm) | 65 | Screw 3.57 x 7 | 4 | 001670-712 | |
| 38-1-2 | Front Cover Hinge | 1 | 154854-001 | | 66 | Washer | 4 | 105161-003 | |
| 38-1-3 | Front Cover Hinge Pin | 1 | 154855-000 | | 69 | Emblem Plate | 1 | S00104-001 | |
| 38-1-4 | Spring | 1 | 146442-001 | | 75 | Oil Cap | 2 | 143196-001 | |
| 38-1-5 | Pin 1.4 x 6 | 1 | 047140-642 | | 78 | Packing | 4 | 118770-001 | |
| 38-1-6 | Hinge Cover | 1 | 154856-000 | | 100 | Model Plate | 1 | | |
| 38-1-7 | Hinge Cover Presser Plate | 1 | 152194-001 | | 101 | Pin | 2 | | |
| 38-1-8 | Screw 3.57 x 4 | 2 | 009670-412 | | 102 | Threading Diagram | 1 | 154849-001 | |
| 39 | Screw 4.37 x 5 | 2 | 009680-512 | | 103 | Parts Book Number Plate | 1 | | |
| 40 | Front Cover Guide | 1 | 154821-001 | | 104 | Looper Threading Label | 1 | 155340-001 | |
| 41 | Screw 3.57 x 6 | 2 | 009670-612 | | 105 | Label | 1 | 146975- | |
| 42-1 | Supporter for Front Cover | 1 | | A-42 Supporter for Front Cover Assembly 154823-001 | 107 | Eye Guard | 1 | S00075-000 | |
| 42-2 | Thread Bushing | 2 | 146924-000 | | 108 | Screw 3.18 x 5 | 2 | 009660-512 | |
| 43 | Screw 4.37 | 2 | 117160-001 | | 109 | Washer 3 | 2 | 025030-132 | |
| | | | | | 110 | Supporter Plate | 1 | S00076-001 | |
| | | | | | 111 | Screw 4.37 | 1 | 146597-101 | |
| | | | | | 112 | Spring Washer | 1 | 146598-001 | |
| | | | | | 113 | Spacer | 1 | S00077-000 | |

A. Machine body (3) / Maschinengehäuse (3)
 Corps de la machine (3) / Cuerpo de la máquina (3)



| Ref. No. | Name of Parts | Q'ty | Parts No. | Assembly No. | Ref. No. | Name of Parts | Q'ty | Parts No. | Assembly No. |
|----------|-----------------------|------|------------|-------------------------------------------------|----------|---------------------------|------|------------|-------------------------------------------------|
| 38-2-1 | Front Cover | 1 | | A-38-2 | 38-2-5 | Pin 1.4 x 6 | 1 | 047140-642 | A-38-2 |
| 38-2-2 | Front Cover Hinge | 1 | 154854-001 | Front Cover Assembly 154859-001 (3 mm) | 38-2-6 | Hinge Cover | 1 | 154856-000 | Front Cover Assembly 154859-001 (3 mm) |
| 38-2-3 | Front Cover Hinge Pin | 1 | 154855-000 | | 38-2-7 | Hinge Cover Presser Plate | 1 | 152194-001 | |
| 38-2-4 | Spring | 1 | 146442-001 | | 38-2-8 | Screw 3.57 x 4 | 2 | 009670-412 | |

B. Crank shaft mechanism / Kurbelwelle
Mécanisme du vilebrequin / Mecanismo del cigüeñal



| Ref. No. | Name of Parts | Q'ty | Parts No. | Assembly No. | Ref. No. | Name of Parts | Q'ty | Parts No. | Assembly No. |
|----------|----------------------------------|------|------------|-----------------------------------------------------------|----------|-----------------|------|------------|---------------------------------------|
| 1 | Crank Shaft | 1 | ※ | | 14 | Bearing 6302Z | 1 | 154878-001 | |
| 3 | Bearing Cap | 1 | 154868-001 | | 15 | Oil Rejector | 1 | 154879-000 | |
| 4 | Packing | 1 | 154869-000 | | 16 | Spring | 1 | 154880-001 | |
| 5 | Screw 3.57 x 8 | 3 | 009670-812 | | 17 | Bearing Presser | 1 | 154881-000 | |
| 7 | Bearing 6001Z | 1 | S00285-000 | | 18 | Screw 4.37 x 10 | 3 | 009681-012 | |
| 8 | Crank Shaft Bushing (L) Assembly | 1 | S00287-000 | | 19-1 | Pulley | 1 | | B-19 Pulley Assembly S00034-001 |
| 9 | Crank Shaft Bushing (M) Assembly | 1 | S00290-000 | | 19-2 | Fan | 1 | | |
| 10-1 | Crank Shaft Bushing | 1 | | B-10 Crank Shaft Bushings Assembly S00297-001 | 20 | Key | 1 | 154885-001 | |
| 10-2 | Screw 4.37 x 14 | 2 | 148425-001 | | 21 | Washer | 1 | 154886-001 | |
| 11 | Screw 4.37 | 1 | 154875-001 | | 22 | Pulley Cover | 1 | 154887-001 | |
| 12 | Stop Ring | 1 | 154876-001 | | 23 | Bolt 6.35 x 14 | 1 | 017771-412 | |
| 13 | Bearing 6302 | 1 | 154877-001 | | 24 | Screw 4.76 | 2 | 013719-412 | |
| | | | | | 25 | Screw 3.57 | 1 | 148294-001 | |

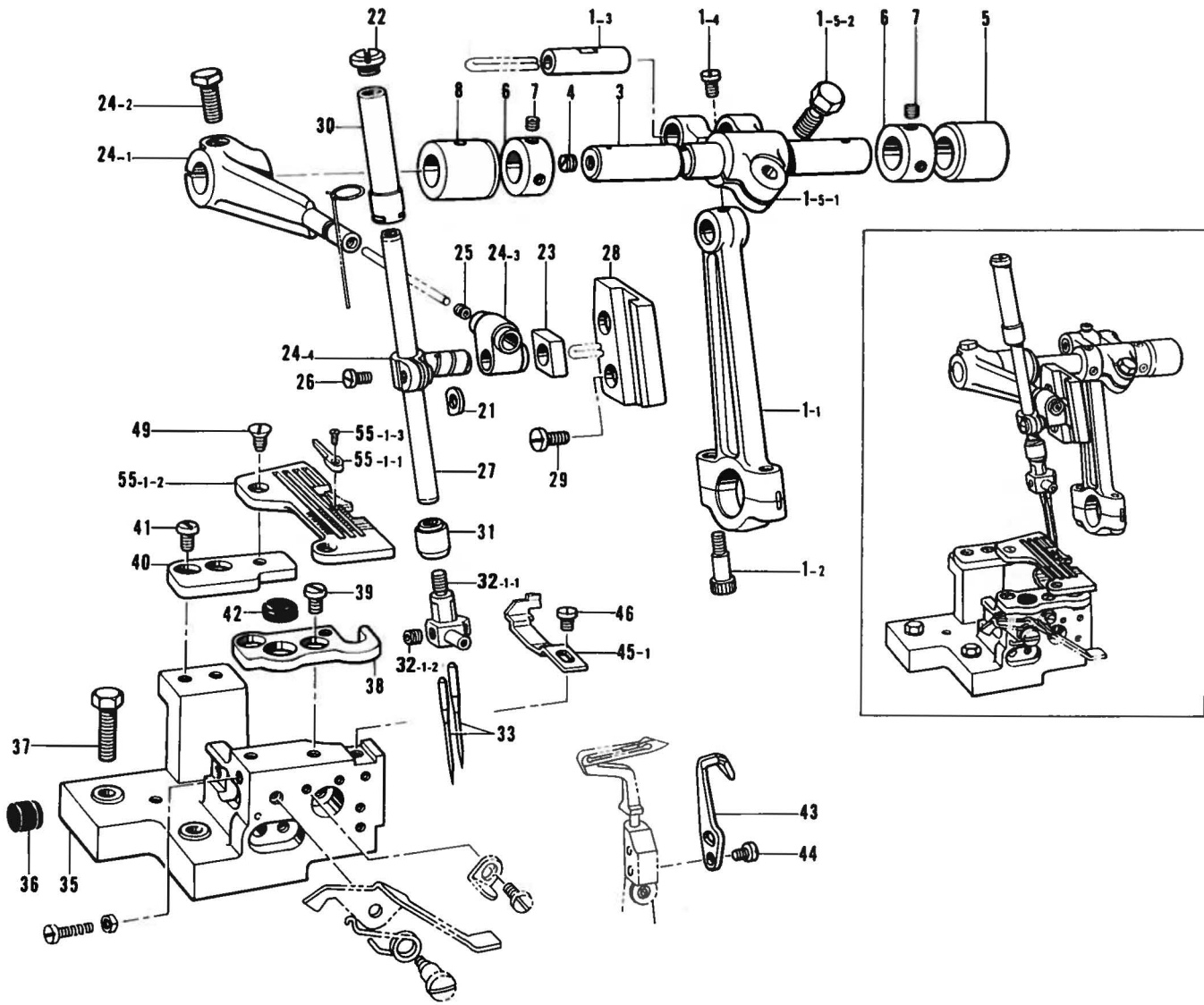
※ Please Crank Shaft Assembly (B-1, C-1, H-1, J-1, K-1) is refer to the different parts list (page 26).

※ Für die Kurbelwelle (B-1, C-1, H-1, J-1, K-1) wird auf die Zubehörlist auf Seite 26 verwiesen.

※ Sur le montage (B-1, C-1, H-1, J-1, K-1), voyez la liste des pièces accessoires (page 26).

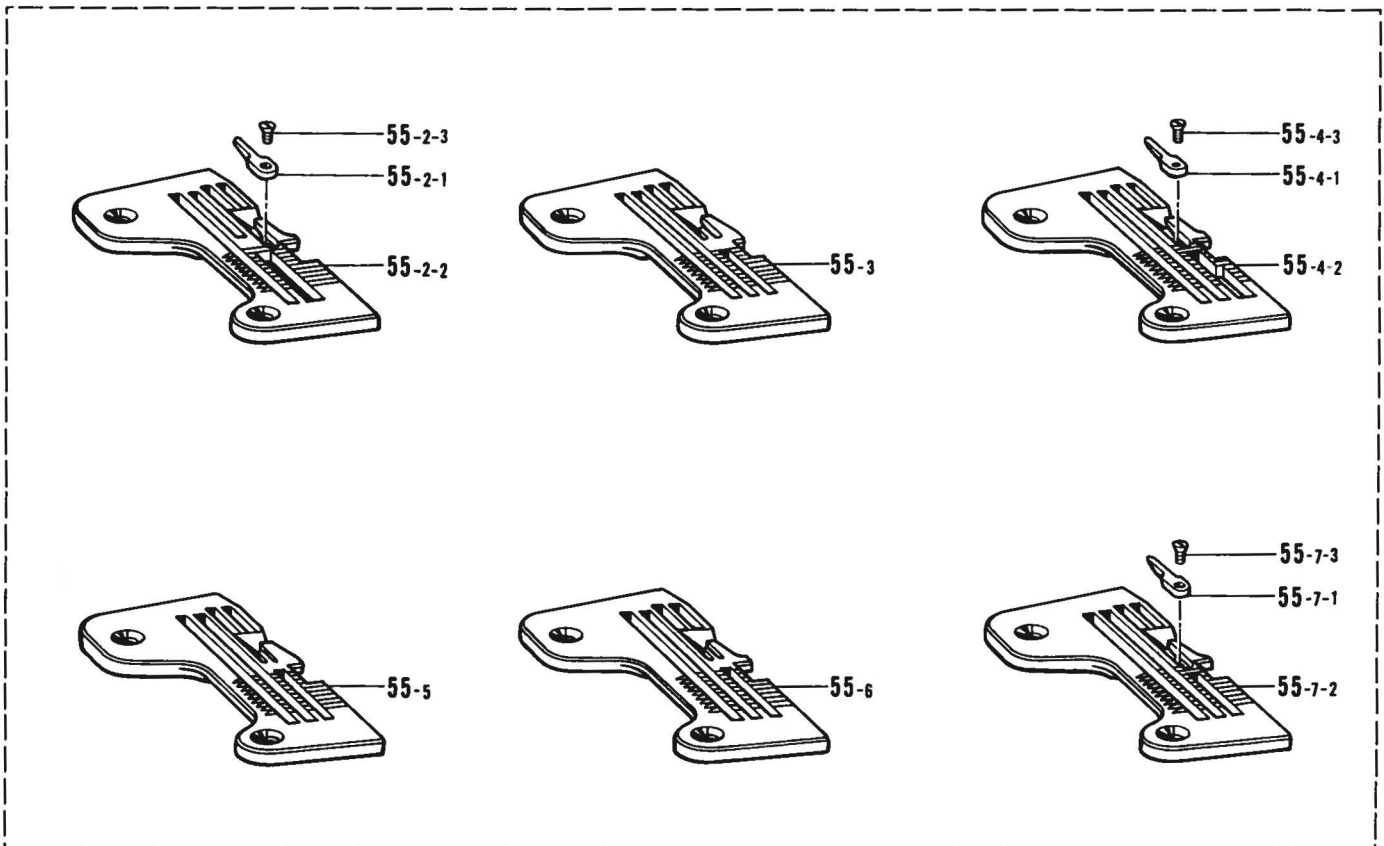
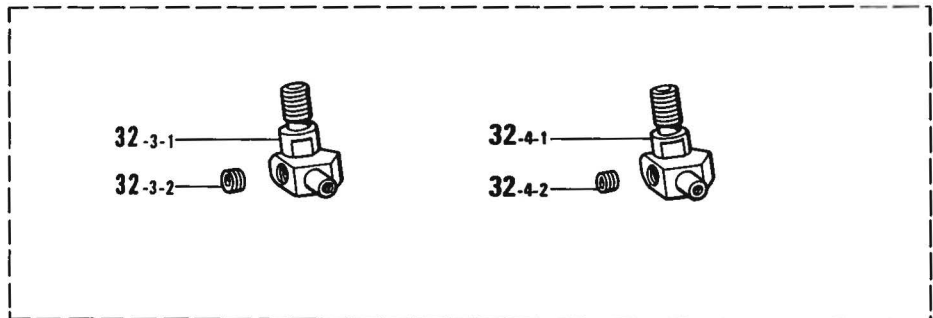
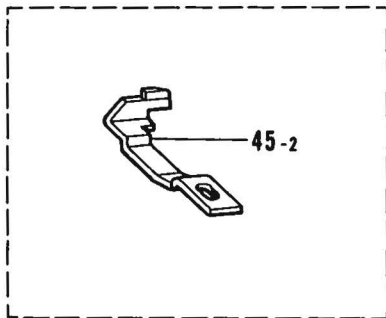
※ Para el conjunto del cigüeñal (B-1, C-1, H-1, J-1, K-1) consultar la lista de piezas accesorias (página 26)

C. Needle bar mechanism (1) / Nadelstangenvorrichtung (1)
 Mécanisme de la barre à aiguille (1) / Mecanismo del barra de aguja (1)



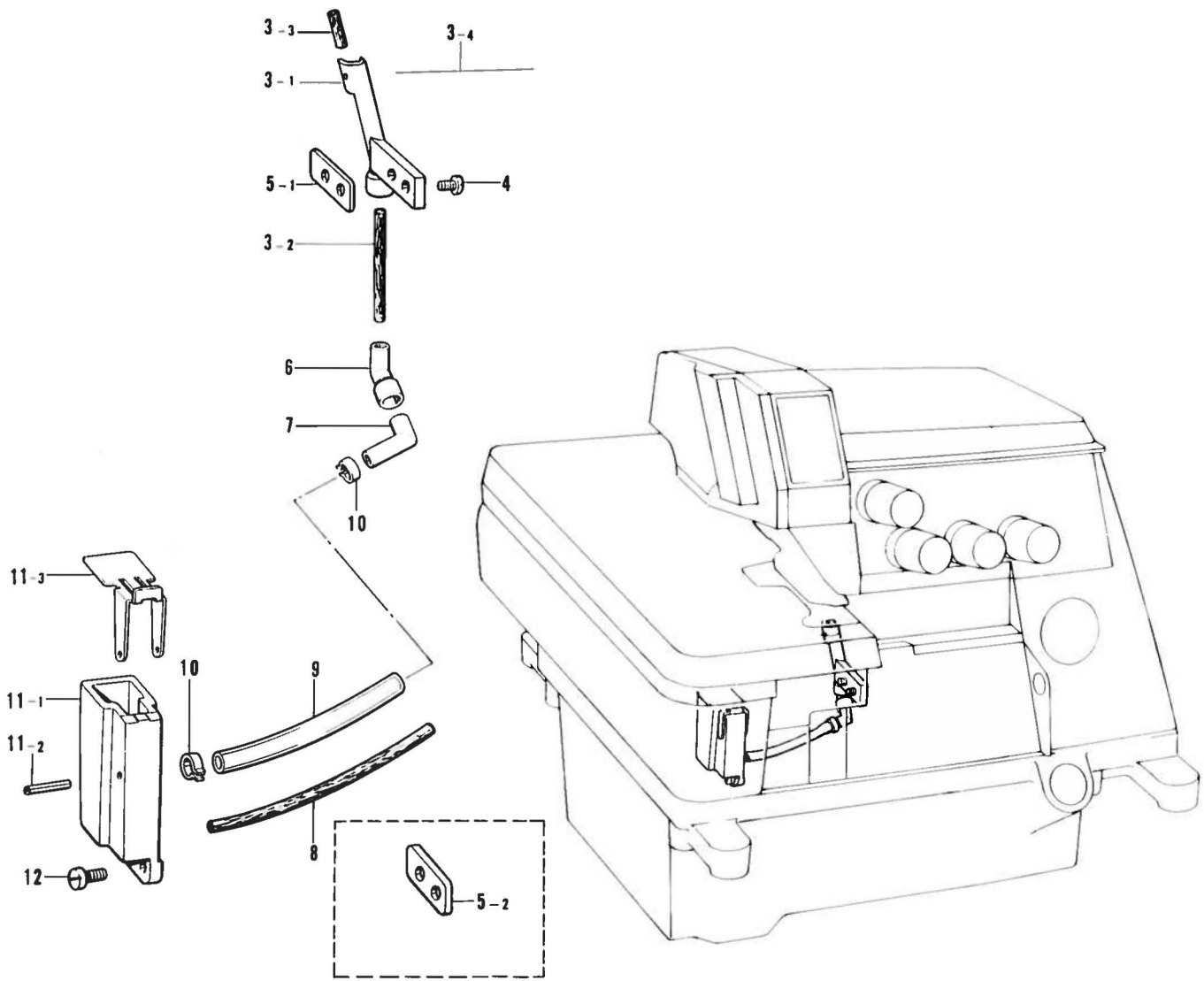
| Ref. No. | Name of Parts | Q'ty | Parts No. | Assembly No. | Ref. No. | Name of Parts | Q'ty | Parts No. | Assembly No. |
|----------|------------------------------|------|------------|-------------------------------------------|----------|-------------------------------|------|------------|----------------------------------|
| 1-1 | Needle Arm Driving Crank Rod | 1 | | C-1 | 28 | Needle Bar Guide | 1 | S00047-001 | |
| 1-2 | Screw 4.37 x 14 | 2 | 148425-001 | Needle Arm Driving Crank Rod Assembly | 29 | Screw 4.37 x 7 | 2 | 009680-712 | |
| 1-3 | Pin | 1 | | *S00037-001 | 30 | Needle Bar Bushing (U) | 1 | S00048-001 | |
| 1-4 | Screw 4.37 | 1 | 100366-001 | | 31 | Needle Bar Bushing (D) | 1 | S00389-000 | |
| 1-5-1 | Needle Bar Crank Shaft Arm | 1 | | C-1-5 Needle Bar Crank Shaft Arm Assembly | 32-1-1 | Needle Clamp 2.2 | 1 | | C-32-1 Needle Clamp Assembly 2.2 |
| 1-5-2 | Bolt 6.35 x 16 | 1 | 149170-001 | S00038-001 | 32-1-2 | Screw 3.18 | 2 | 146427-001 | 154910-001 |
| 3 | Needle Bar Crank Shaft | 1 | S00121-001 | | 33 | Needle DC x 27 | 2 | 151474- | |
| 4 | Screw 5.95 | 1 | 100260-001 | | 35 | Needle Plate Support Bracket | 1 | 154922-001 | |
| 5 | Bushing (Right) | 1 | S00041-000 | | 36 | Oil Cap | 1 | 154923-001 | |
| 6 | Set Collar | 2 | 140092-001 | | 37 | Bolt 6.35 x 25 | 2 | 017782-512 | |
| 7 | Screw 4.37 | 4 | 014680-422 | | 38 | Needle Plate Supporter (F) | 1 | 146494-001 | |
| 8 | Bushing (Left) | 1 | S00042-000 | | 39 | Screw 4.37 x 5 | 2 | 001680-512 | |
| 21 | Spacer | 1 | 154901-001 | | 40 | Needle Plate Supporter (B) | 1 | 146495-001 | |
| 22 | Screw 8.73 | 1 | S00049-001 | | 41 | Screw 4.37 x 5 | 2 | 001680-512 | |
| 23 | Needle Bar Guide Slide Block | 1 | 159638-001 | | 42 | Cloth Plate Cushion (B) | 1 | 111486-001 | |
| 24-1 | Needle Arm | 1 | | C-24 Needle Bar Clamp Assembly | 43 | Movable Needle Guard | 1 | 158433-001 | |
| 24-2 | Bolt 6.35 x 16 | 1 | 017771-612 | S00122-001 | 44 | Screw 3.57 x 8 | 2 | 009670-812 | |
| 24-3 | Needle Bar Connector | 1 | | | 45-1 | Chain Stitch Needle Guard (F) | 1 | 146777-001 | |
| 24-4 | Needle Bar Clamp | 1 | | | 46 | Screw 3.57 x 6 | 1 | 009670-612 | |
| 25 | Screw 3.18 | 1 | 146427-001 | | 49 | Screw 4.37 | 2 | 100032-003 | |
| 26 | Screw 3.57 x 8 | 1 | 009670-812 | | 55-1-1 | Stitch Tongue | 1 | 155993-001 | C-55-1 Needle Plate Assembly |
| 27 | Needle Bar | 1 | S00046-001 | | 55-1-2 | Needle Plate | 1 | | S00241-001 |
| | | | | | 55-1-3 | Screw 1.59 | 1 | 148355-001 | |

C. Needle bar mechanism (2) / Nadelstangenvorrichtung (2)
 Mécanisme de la barre à aiguille (2) / Mecanismo del barra de aguja (2)



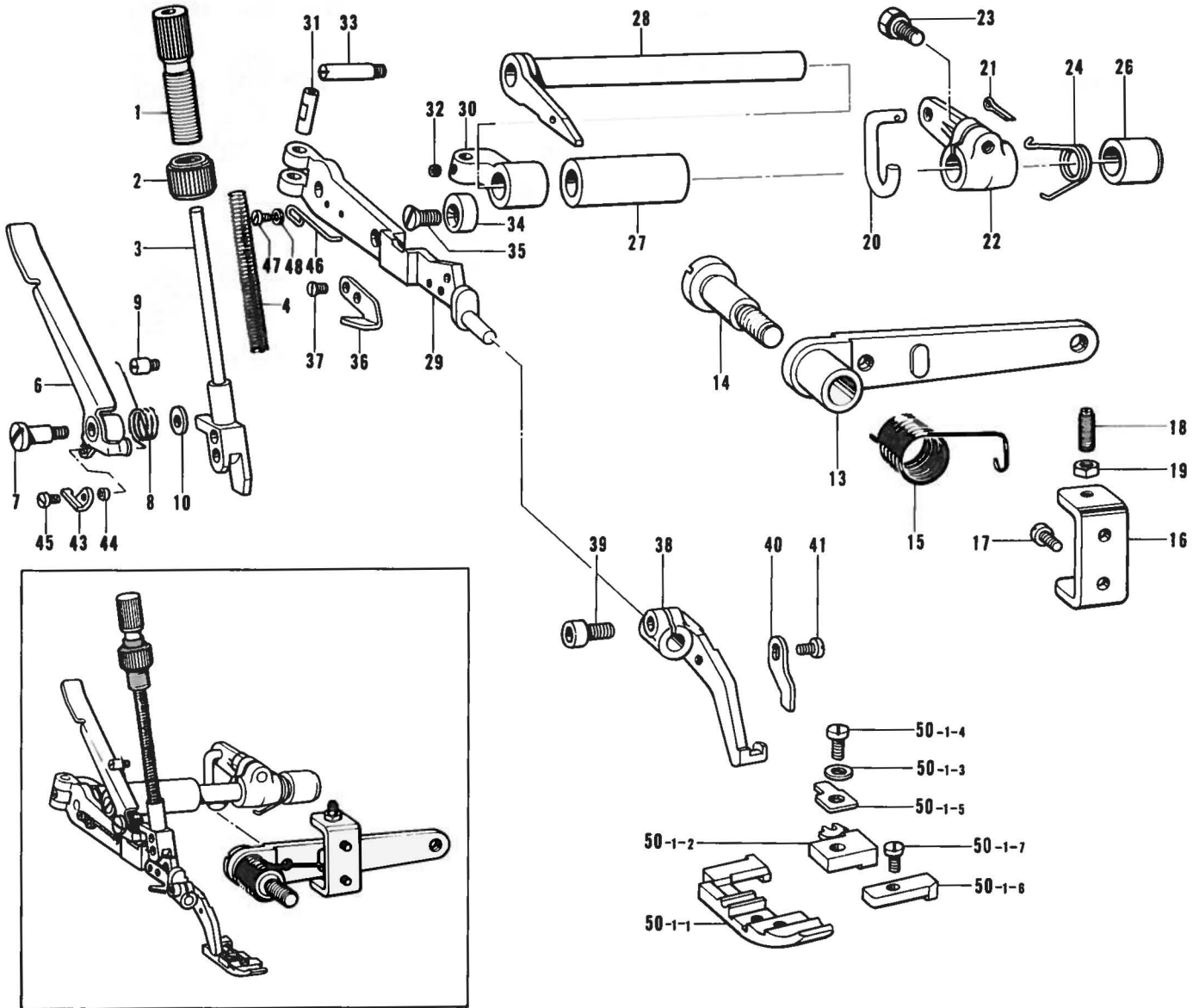
| Ref. No. | Name of Parts | Q'ty | Parts No. | Assembly No. | Ref. No. | Name of Parts | Q'ty | Parts No. | Assembly No. |
|----------|-------------------------------|------|------------|----------------------------------|----------|--------------------------------|------|------------|------------------------------|
| 32-3-1 | Needle Clamp 3 | 1 | | C-32-3 | 55-3 | Needle Plate (Denim) | 1 | S01148-001 | |
| 32-3-2 | Screw 3.18 | 2 | 146427-001 | Needle Clamp Assembly 3 | 55-4-1 | Stitch Tongue | 1 | 156014-001 | C-55-4 Needle Plate Assembly |
| 32-4-1 | Needle Clamp 2.5 | 1 | | 154912-001 | 55-4-2 | Needle Plate (Bulky) | 1 | | 156009-001 |
| 32-4-2 | Screw 3.18 | 2 | 146427-001 | C-32-4 | 55-4-3 | Screw 1.59 | 1 | 148355-001 | (Bulky) |
| 45-2 | Chain Stitch Needle Guard (F) | 1 | 146778-001 | Needle Clamp Assembly 2.5 | 55-5 | Needle Plate (Bulky) | 1 | 159875-001 | |
| 55-2-1 | Stitch Tongue | 1 | 155993-001 | 159880-001 | 55-6 | Needle Plate (Bulky) | 1 | S01190-001 | |
| 55-2-2 | Needle Plate | 1 | | | 55-7-1 | Stitch Tongue | 1 | 156014-001 | C-55-7 Needle Plate Assembly |
| 55-2-3 | Screw 1.59 | 1 | 148355-001 | C-55-2 | 55-7-2 | Needle Plate (Shirring·Piping) | 1 | | S01150-001 |
| | | | | Needle Plate Assembly S00283-001 | 55-7-3 | Screw 1.59 | 1 | 148355-001 | (Shirring, Piping) Taping |

D. Needle cooler / Nadelkühlungsvorrichtung
 Mécanisme du refroidisseur d'aiguille / Mecanismo del enfriador de aguja



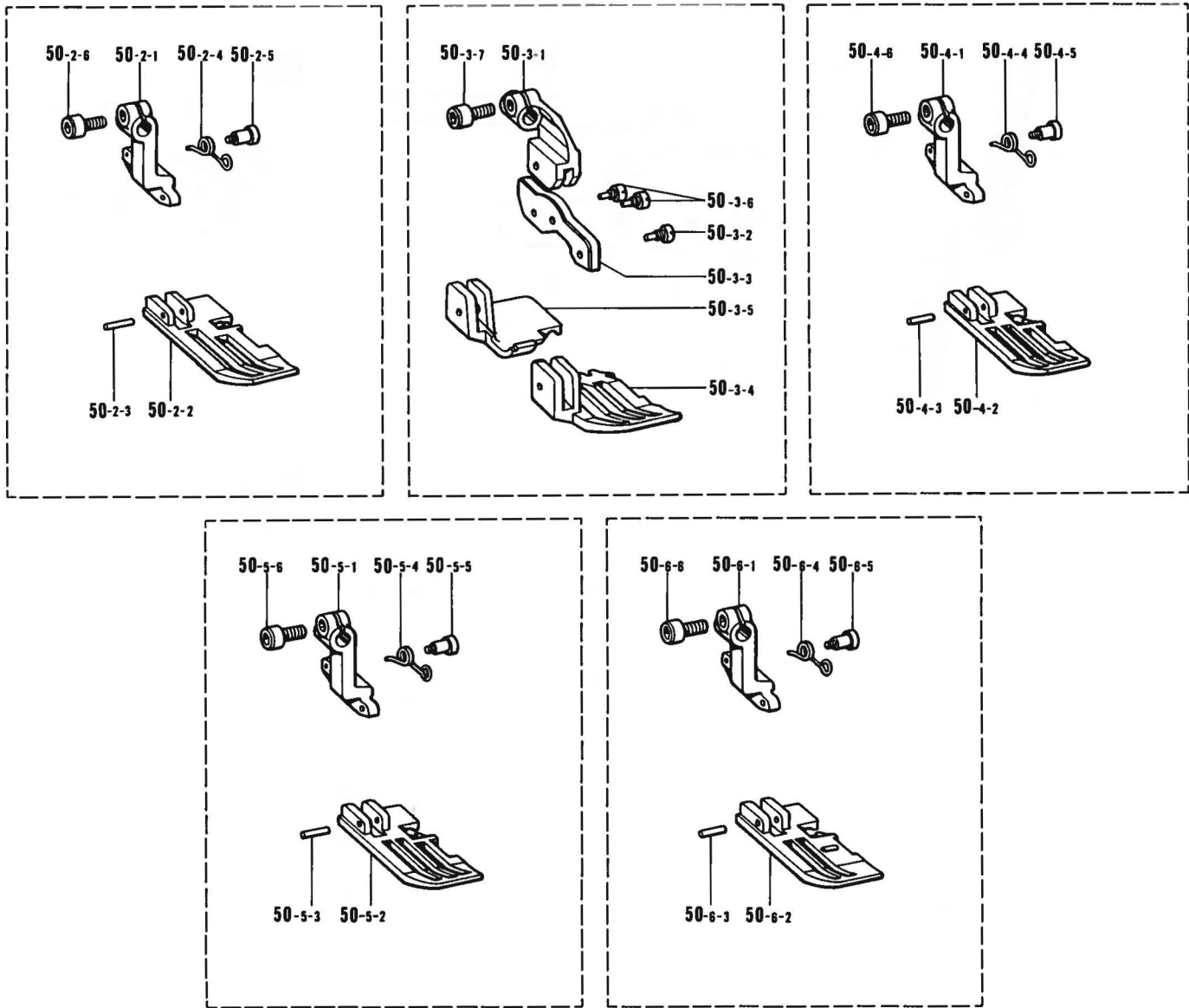
| Ref. No. | Name of Parts | Q'ty | Parts No. | Assembly No. | Ref. No. | Name of Parts | Q'ty | Parts No. | Assembly No. |
|----------|----------------|------|------------|----------------------------------------------|--------------------------|-----------------|------------|------------|-------------------------------------------------|
| 3-1 | Felt Supporter | 1 | 154931-000 | D-3 Felt Holder Assembly 154930-001 | 7 | Pipe Joint (B) | 1 | 154940-000 | |
| 3-2 | Felt | 1 | 154932-000 | | 8 | Felt | 1 | 154941-000 | |
| 3-3 | Felt (S) | 1 | 146740-000 | | 9 | Vinyl Tube | 1 | 155283-000 | |
| 3-4 | Steel Wire | 1 | 147738-000 | | 10 | Stop Ring | 2 | 147942-001 | |
| 4 | Screw 3.57 | 2 | 100257-010 | | 11-1 | Needle Cooler | 1 | | D-11 Needle Cooler Assembly 154943-001 |
| 5-1 | Spacer (2 mm) | 1 | 154937-001 | 11-2 | Pin | 1 | 047201-640 | | |
| 5-2 | Spacer (3 mm) | 1 | 154938-001 | 11-3 | Needle Cooler Tank Cover | 1 | 154945-001 | | |
| 6 | Pipe Joint (A) | 1 | 154939-000 | | 12 | Screw 3.57 x 10 | 2 | 009671-012 | |

E. Presser foot mechanism (I) / Stoffdrückerfuß (I)
 Mécanisme du pied presseur (I) / Mecanismo del prensa telas (I)



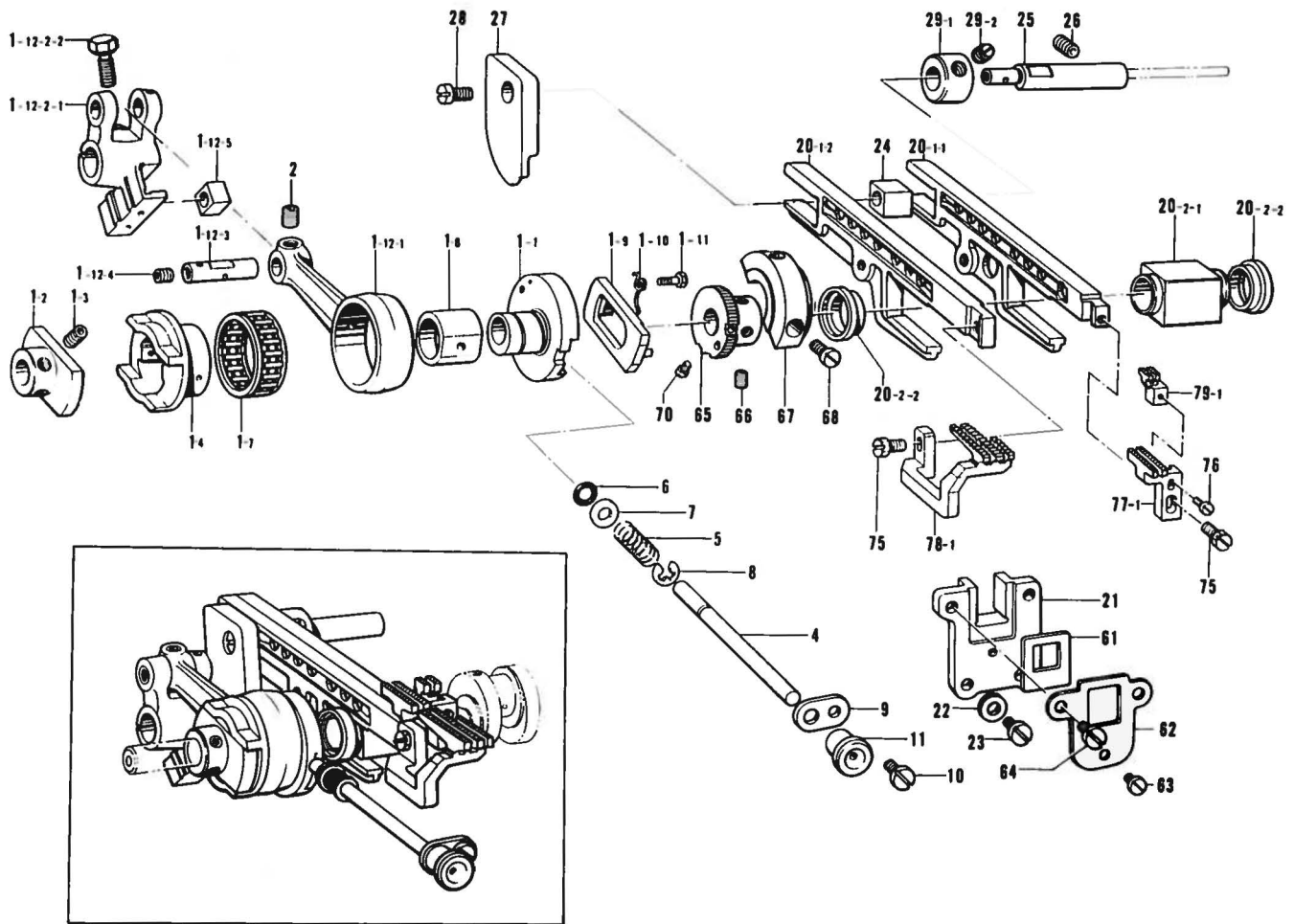
| Ref. No. | Name of Parts | Q'ty | Parts No. | Assembly No. | Ref. No. | Name of Parts | Q'ty | Parts No. | Assembly No. |
|----------|----------------------------------|------|------------|--------------|----------|----------------------------|------|------------|--------------------------------------------------|
| 1 | Screw | 1 | S00050-001 | | 30 | Presser Arm Supporter | 1 | 154961-001 | |
| 2 | Nut | 1 | S00051-001 | | 31 | Pin for Presser Arm Shaft | 1 | 154962-001 | |
| 3 | Presser Bar | 1 | S00052-001 | | 32 | Screw 4.37 | 1 | 153675-001 | |
| 4 | Spring | 1 | 144081-001 | | 33 | Screw 4.37 | 1 | S00128-001 | |
| 6 | Presser Bar Lifter | 1 | S01082-001 | | 34 | Presser Arm Stopper | 1 | 144088-001 | |
| 7 | Screw 4.76 | 1 | 141598-001 | | 35 | Screw 4.76 | 1 | 107231-002 | |
| 8 | Spring | 1 | S00054-001 | | 36 | Trimming Knife | 1 | 148259-001 | |
| 9 | Spring Hook | 1 | S00055-001 | | 37 | Screw 3.18 | 2 | 141542-001 | |
| 10 | Washer | 1 | 146354-001 | | 38 | Sub-Presser Arm | 1 | S00129-001 | |
| 13 | Presser Foot Lifter Lever | 1 | S00125-001 | | 39 | Bolt 3.57 x 8 | 1 | 154965-001 | |
| 14 | Screw 7.94 | 1 | 148372-001 | | 40 | Presser Stopper | 1 | S00132-001 | |
| 15 | Spring | 1 | 143325-001 | | 41 | Screw 3.18 x 4.5 | 1 | 009669-412 | |
| 16 | Lever Adjust Plate | 1 | S00126-001 | | 43 | Presser Bar Lifter Plate | 1 | S01083-001 | |
| 17 | Screw 4.37 x 7 | 2 | 009680-712 | | 44 | Collar | 1 | S01084-001 | |
| 18 | Screw 4.76 | 2 | 153483-001 | | 45 | Screw 3.18 x 3.5 | 1 | 009669-312 | |
| 19 | Nut 4.76 | 2 | 110161-006 | | 46 | Spring | 1 | S01086-001 | |
| 20 | Presser Foot Lifter Link | 1 | S00276-001 | | 47 | Screw 3.18 x 3.5 | 2 | 009669-312 | |
| 21 | Pin | 1 | 110793-001 | | 48 | Washer 3.18 | 2 | 025660-132 | |
| 22 | Presser Foot Lifter Inside Lever | 1 | S00275-001 | | 50-1-1 | Presser Foot | 1 | | |
| 23 | Bolt 6.35 x 16 | 1 | 149170-001 | | 50-1-2 | Presser Foot Stitch Tongue | 1 | 146903-001 | |
| 24 | Spring | 1 | 154957-001 | | 50-1-3 | Washer 3 | 1 | 025030-132 | |
| 26 | Bushing (Right) | 1 | 140262-000 | | 50-1-4 | Screw 3.18 | 1 | 100080-004 | |
| 27 | Bushing (Left) | 1 | S00127-000 | | 50-1-5 | Presser Foot Hinge Spring | 1 | 146887-001 | |
| 28 | Presser Arm Shaft | 1 | S01080-001 | | 50-1-6 | Presser Foot (Front) | 1 | 146888-001 | |
| 29 | Main Presser Arm | 1 | S01081-001 | | 50-1-7 | Screw 2.38 x 3.5 | 1 | 009639-312 | |
| | | | | | | | | | E-50-1 Presser Foot Assembly S00272-001 |

E. Presser foot mechanism (2) / Stoffdrückerfuß (2)
 Mécanisme du pied presseur (2) / Mecanismo del prensa telas (2)



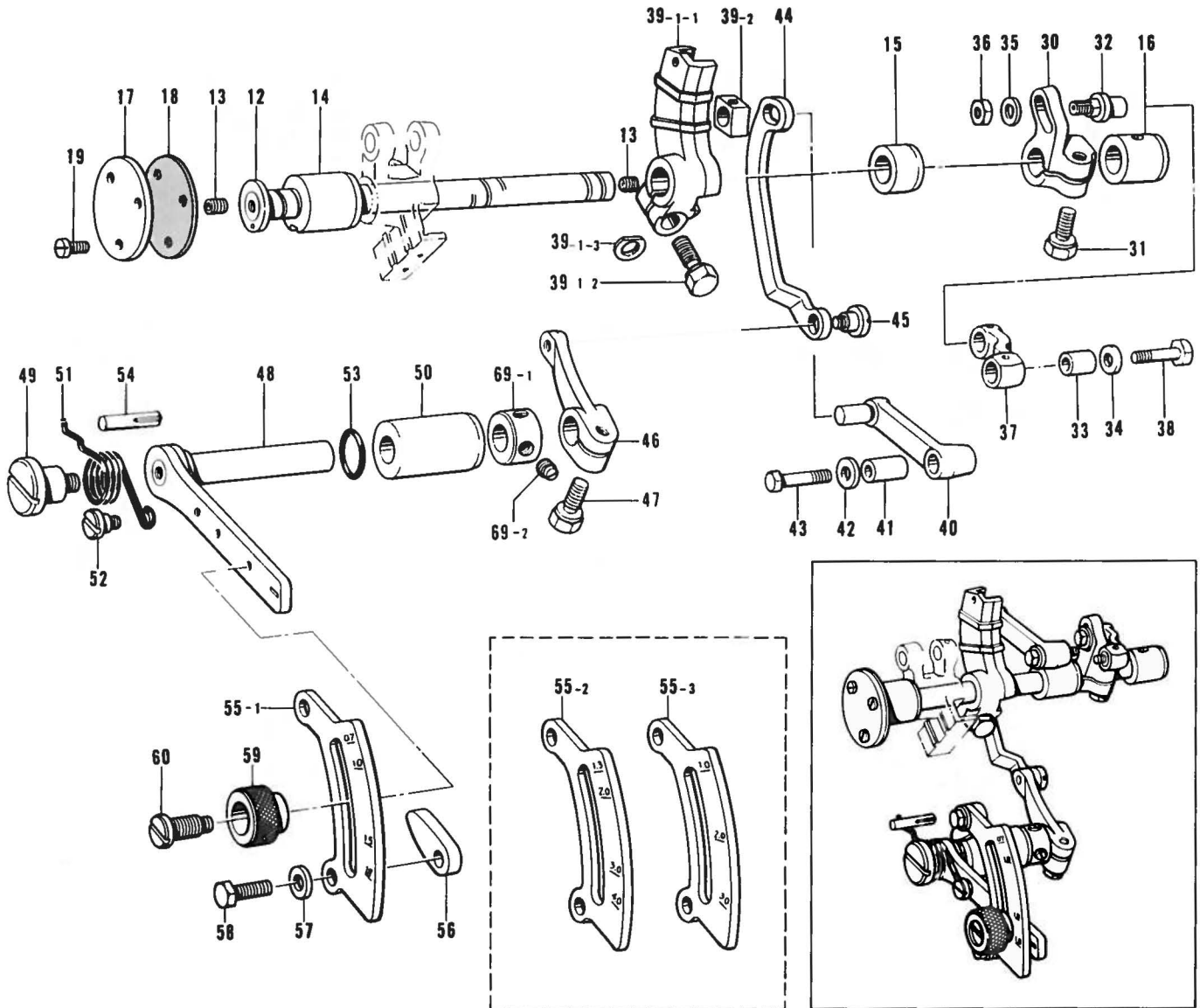
| Ref. No. | Name of Parts | Q'ty | Parts No. | Assembly No. | Ref. No. | Name of Parts | Q'ty | Parts No. | Assembly No. |
|----------|---------------------------|------|------------|----------------------------------------------------------------|----------|-----------------|------------|------------|----------------------------------------------------------------|
| 50-2-1 | Sub-Presser Arm | 1 | | E-50-2 Presser Foot Assembly S00243-001 | 50-4-4 | Spring | 1 | S00238-001 | E-50-4 Presser Foot Assembly S01134-001 (Shirring) |
| 50-2-2 | Presser Foot | 1 | | | 50-4-5 | Screw | 1 | 142247-001 | |
| 50-2-3 | Pin | 1 | 142243-000 | | 50-4-6 | Bolt 3.57 x 8 | 1 | 154965-001 | |
| 50-2-4 | Spring | 1 | S00238-001 | | 50-5-1 | Sub-Presser Arm | 1 | | E-50-5 Presser Foot Assembly S01135-001 (Piping) |
| 50-2-5 | Screw | 1 | 142247-001 | | 50-5-2 | Presser Foot | 1 | | |
| 50-2-6 | Bolt 3.57 x 8 | 1 | 154965-001 | 50-5-3 | Pin | 1 | 142243-000 | | |
| 50-3-1 | Sub-Presser Arm | 1 | | E-50-3 Presser Foot Assembly S01132-001 (Denim) | 50-5-4 | Spring | 1 | S00238-001 | E-50-6 Presser Foot Assembly S01136-001 (Taping) |
| 50-3-2 | Screw 3.18 | 1 | 148015-001 | | 50-5-5 | Screw | 1 | 142247-001 | |
| 50-3-3 | Presser Foot Hinge Spring | 1 | 148016-001 | | 50-5-6 | Bolt 3.57 x 8 | 1 | 154965-001 | |
| 50-3-4 | Presser Foot (Front) | 1 | | | 50-6-1 | Sub-Presser Arm | 1 | | |
| 50-3-5 | Presser Foot (B) | 1 | S00341-001 | | 50-6-2 | Presser Foot | 1 | | |
| 50-3-6 | Screw 3.18 | 2 | 148015-001 | 50-6-3 | Pin | 1 | 142243-000 | | |
| 50-3-7 | Bolt 3.57 x 8 | 1 | 154965-001 | 50-6-4 | Spring | 1 | S00238-001 | | |
| 50-4-1 | Sub-Presser Arm | 1 | | E-50-4 Presser Foot Assembly S01134-001 (Shirring) | 50-6-5 | Screw | 1 | 142247-001 | |
| 50-4-2 | Presser Foot | 1 | | | 50-6-6 | Bolt 3.57 x 8 | 1 | 154965-001 | |
| 50-4-3 | Pin | 1 | 142243-000 | | | | | | |

F. Feed mechanism (1) / Transportvorrichtung (1)
 Mécanisme de l'entraînement (1) / Mecanismo de la alimentación (1)



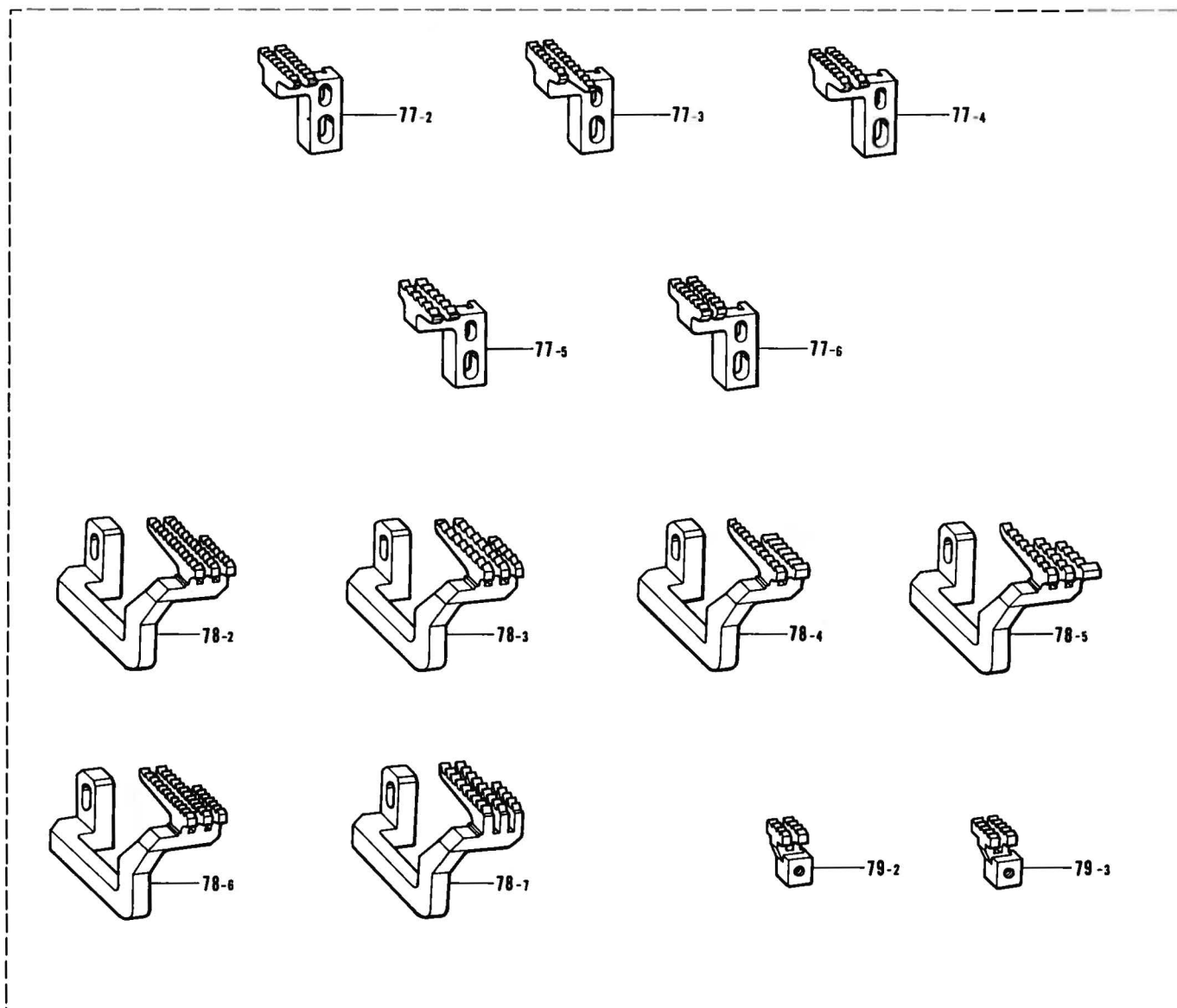
| Ref. No. | Name of Parts | Q'ty | Parts No. | Assembly No. | Ref. No. | Name of Parts | Q'ty | Parts No. | Assembly No. |
|----------|------------------------------------|------|------------|--------------------------------------------------|--------------------------|----------------------------|------------|------------|------------------------------------------------|
| 1- 1 | Eccentric Wheel | 1 | | F-1 Eccentric Wheel Assembly S00133-001 | 21 | Feed Bar Guide | 1 | 155151-000 | |
| 1- 2 | Eccentric Wheel Holder | 1 | | | 22 | Washer | 2 | 100645-003 | |
| 1- 3 | Screw 4.37 | 2 | 014680-422 | | 23 | Screw 4.37 | 2 | 107407-003 | |
| 1- 4 | Eccentric Wheel | 1 | | | 24 | Feed Bar Guide Block | 1 | 146547-000 | |
| 1- 7 | Needle Roller Bearing 28 | 1 | | | 25 | Feed Bar Guide Block Shaft | 1 | 155152-001 | |
| 1- 8 | Eccentric Wheel Block | 1 | | | 26 | Screw 6.35 | 1 | 014780-622 | |
| 1- 9 | Ratchet Stopper | 1 | | | 27 | Differential Link Guide | 1 | 155153-000 | |
| 1-10 | Spring | 1 | 155132-001 | | 28 | Screw 4.37 x 7 | 1 | 009680-712 | |
| 1-11 | Screw 2.38 | 1 | 155133-001 | | 29-1 | Set Collar | 1 | | F-29 Set Collar with Screw 156809-001 |
| 1-12-1 | Feed Connecting Rod | 1 | | | 29-2 | Screw 6.35 x 6 | 2 | 014770-622 | |
| 1-12-2-1 | Feed Arm | 1 | | | 61 | Fragment Protector | 1 | 155177-000 | |
| 1-12-2-2 | Bolt 6.35 x 16 | 1 | 149170-001 | 62 | Fragment Protector Plate | 1 | 155178-001 | | |
| 1-12-3 | Pin | 1 | | 63 | Screw 3.57 | 1 | 106568-003 | | |
| 1-12-4 | Screw 6.35 x 6 | 1 | 014770-622 | 64 | Screw 4.37 | 2 | 107407-003 | | |
| 1-12-5 | Slide Block | 1 | | 65 | Ratchet | 1 | S00153-001 | | |
| 2 | Screw 4.37 | 1 | 014680-422 | 66 | Screw 4.37 | 2 | 014680-622 | | |
| 4 | Feed Adjusting Shaft | 1 | 155138-001 | 67 | Balance Weight | 1 | 155180-001 | | |
| 5 | Spring | 1 | 155139-001 | 68 | Screw 4.37 | 2 | 105176-001 | | |
| 6 | Packing | 1 | 118770-001 | 70 | Screw 2.38 | 2 | 155560-001 | | |
| 7 | Washer | 1 | 113431-002 | 75 | Bolt 4.37 | 2 | 117516-001 | | |
| 8 | Stop Ring E-4 | 1 | 048040-342 | 76 | Screw 2.38 x 8 | 1 | 009630-812 | | |
| 9 | Supporter for Feed Adjusting Shaft | 1 | 146536-001 | 77-1 | Main Feed Dog | 1 | S00145-001 | | |
| 10 | Screw 3.57 x 6 | 1 | 009670-612 | 78-1 | Differential Feed Dog | 1 | 156036-001 | | |
| 11 | Cap | 1 | 155348-000 | 79-1 | Chain Feed Dog (G) | 1 | S00147-001 | | |
| 20- 1-1 | Main Feed Bar | 1 | | | | | | | |
| 20- 1-2 | Differential Feed Bar | 1 | | | | | | | |
| 20- 2-1 | Feed Lifting Slide Block | 1 | S00371-000 | | | | | | |
| 20- 2-2 | Block Oil Reject | 2 | S00372-000 | | | | | | |

F. Feed mechanism (2) / Transportvorrichtung (2)
 Mécanisme de l'entraînement (2) / Mecanismo de la alimentación (2)



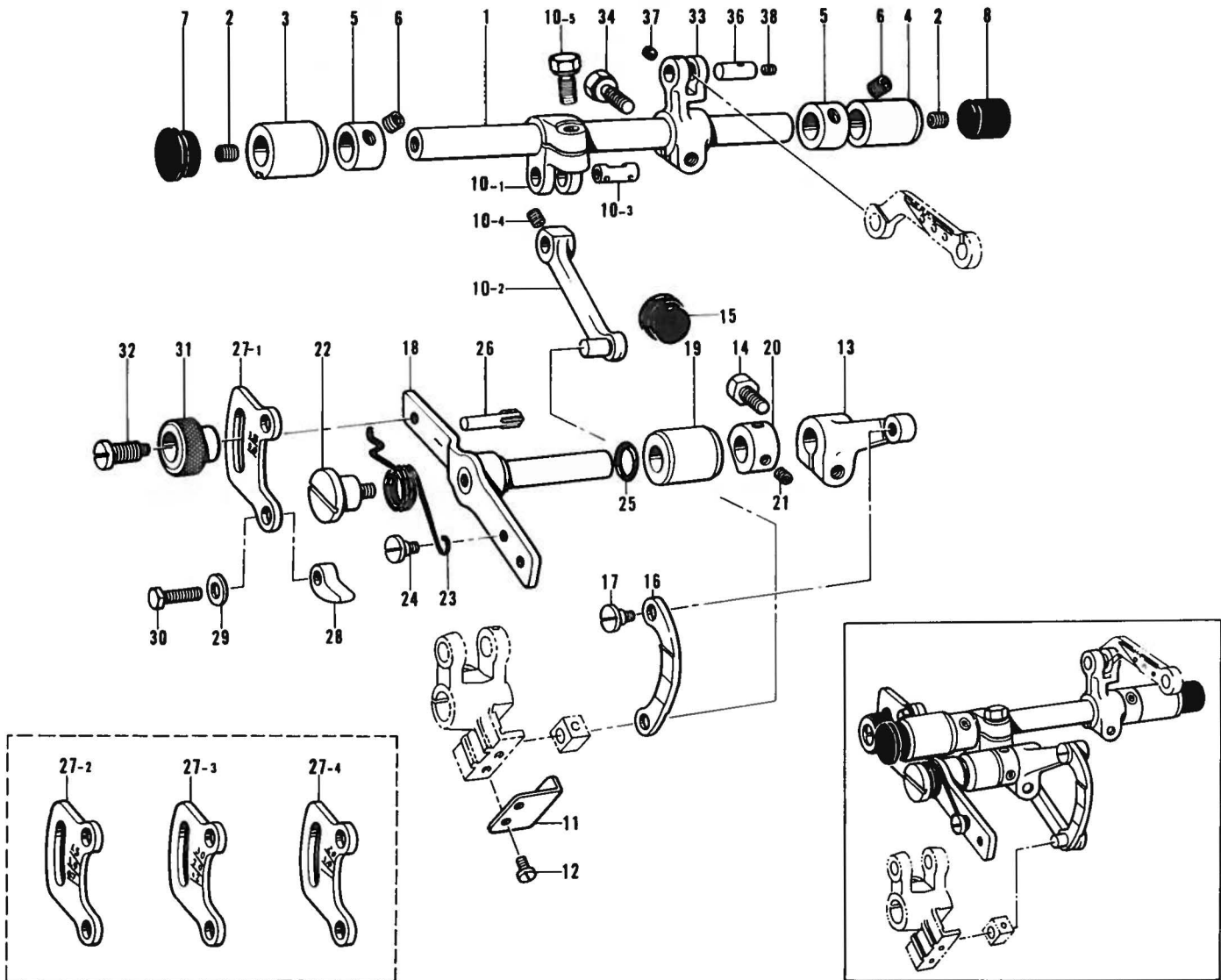
| Ref. No. | Name of Parts | Q'ty | Parts No. | Assembly No. | Ref. No. | Name of Parts | Q'ty | Parts No. | Assembly No. |
|----------|----------------------------------|------|------------|-------------------------------------------------|----------|------------------------------------------------------|------|------------|---------------------------------------|
| 12 | Feed Shaft | 1 | S00140-001 | | 44 | Differential Feed Adjuster Link | 1 | 155166-001 | |
| 13 | Screw 6.35 x 6 | 2 | 014770-622 | | 45 | Screw 5.56 | 1 | 155167-001 | |
| 14 | Feed Shaft Bushing (L) | 1 | 155141-000 | | 46 | Differential Feed Link Lever | 1 | 155168-001 | |
| 15 | Feed Shaft Bushing (M) | 1 | S00141-000 | | 47 | Bolt 6.35 x 14 | 1 | 155516-001 | |
| 16 | Feed Shaft Bushing (R) | 1 | 155143-000 | | 48 | Differential Feed Adjusting Lever | 1 | 155169-001 | |
| 17 | Cover for Feed Shaft Bushing (L) | 1 | 155144-001 | | 49 | Screw 5.56 | 1 | 146559-001 | |
| 18 | Packing | 1 | 155145-000 | | 50 | Adjusting Lever Bushing | 1 | 155170-000 | |
| 19 | Screw 3.57 x 8 | 3 | 009670-812 | | 51 | Spring | 1 | 155171-001 | |
| 30 | Main Feed Arm | 1 | S00142-001 | | 52 | Screw 4.76 | 1 | 100294-002 | |
| 31 | Bolt 6.35 x 16 | 1 | 149170-001 | | 53 | "O" Ring | 1 | 109203-001 | |
| 32 | Main Feed Shaft | 1 | S00143-001 | | 54 | Dowel Pin | 1 | 140063-001 | |
| 33 | Main Feed Link Bushing | 1 | 155156-001 | | 55-1 | Differential Stitch Control Plate | 1 | S00148-001 | |
| 34 | Washer | 1 | 155157-001 | | 55-2 | Differential Stitch Control Plate (Bulky) | 1 | 155173-001 | |
| 35 | Washer | 1 | 113431-002 | | 55-3 | Differential Stitch Control Plate (Shirring, Piping) | 1 | 155174-001 | |
| 36 | Nut 4.76 | 1 | 148838-001 | | 56 | Stopper for Differential Stitch Control | 2 | 146563-001 | |
| 37 | Main Feed Link | 1 | S00144-001 | | 57 | Washer | 2 | 118735-002 | |
| 38 | Main Feed Link Shaft (Small) | 1 | 140210-001 | | 58 | Bolt 6.35 x 14 | 2 | 017781-412 | |
| 39-1-1 | Differential Feed Arm | 1 | | F-39 | 59 | Knob | 1 | 155175-001 | |
| 39-1-2 | Bolt 6.35 x 16 | 1 | 149170-001 | Differential Feed Arm Block Assembly 155159-001 | 60 | Screw | 1 | 155176-001 | |
| 39-1-3 | Spacer | 1 | 155162-001 | | | | | | |
| 39-2 | Differential Feed Block | 1 | | | 69-1 | Set Collar | 1 | | F-69 Set Collar with Screw 181969-003 |
| 40 | Differential Feed Link | 1 | 155164-001 | | 69-2 | Screw 6.35 | 2 | 101706-001 | |
| 41 | Differential Feed Link Bushing | 1 | 155165-001 | | | | | | |
| 42 | Washer | 1 | 155157-001 | | | | | | |
| 43 | Feed Link Shaft (Large) | 1 | 140217-001 | | | | | | |

F. Feed mechanism (3) / Transportvorrichtung (3)
 Mécanisme de l'entraînement (3) / Mecanismo de la alimentación (3)



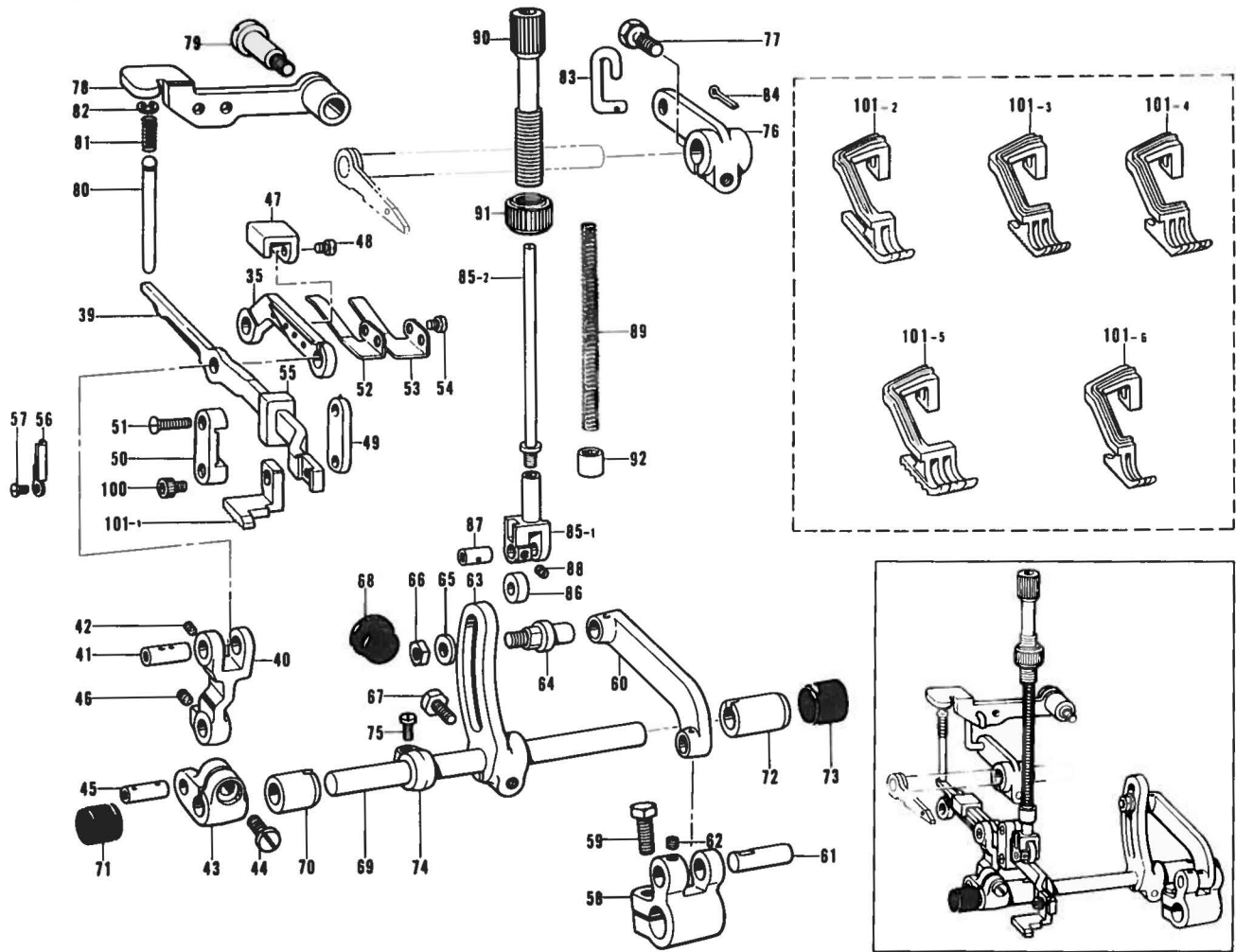
| Ref. No. | Name of Parts | Q'ty | Parts No. | Assembly No. | Ref. No. | Name of Parts | Q'ty | Parts No. | Assembly No. |
|----------|------------------------------------------|------|------------|--------------|----------|----------------------------------------|------|------------|--------------|
| 77-2 | Main Feed Dog | 1 | 146744-001 | | 78-4 | Differential Feed Dog | 1 | S00281-001 | |
| 77-3 | Main Feed Dog (Bulky) | 1 | 146745-001 | | 78-5 | Differential Feed Dog (Bulky) | 1 | 156037-001 | |
| 77-4 | Main Feed Dog (Shirring, Piping, Taping) | 1 | S01145-001 | | 78-6 | Differential Feed Dog (Piping, Taping) | 1 | S01147-001 | |
| 77-5 | Main Feed Dog (Denim) | 1 | S01149-001 | | 78-7 | Differential Feed Dog (Bulky) | 1 | 159877-001 | |
| 77-6 | Main Feed Dog (Bulky) | 1 | 159876-001 | | 79-2 | Chain Feed Dog A | 1 | 146577-001 | |
| 78-2 | Differential Feed Dog (Shirring) | 1 | S01146-001 | | 79-3 | Chain Feed Dog B (Bulky) | 1 | 146578-001 | |
| 78-3 | Differential Feed Dog (Denim) | 1 | S01141-001 | | | | | | |

G. Upper feed mechanism (1) / Obertransportvorrichtung (1)
 Mécanisme de l'entraînement supérieur (1) / Mecanismo de la alimentación superior (1)



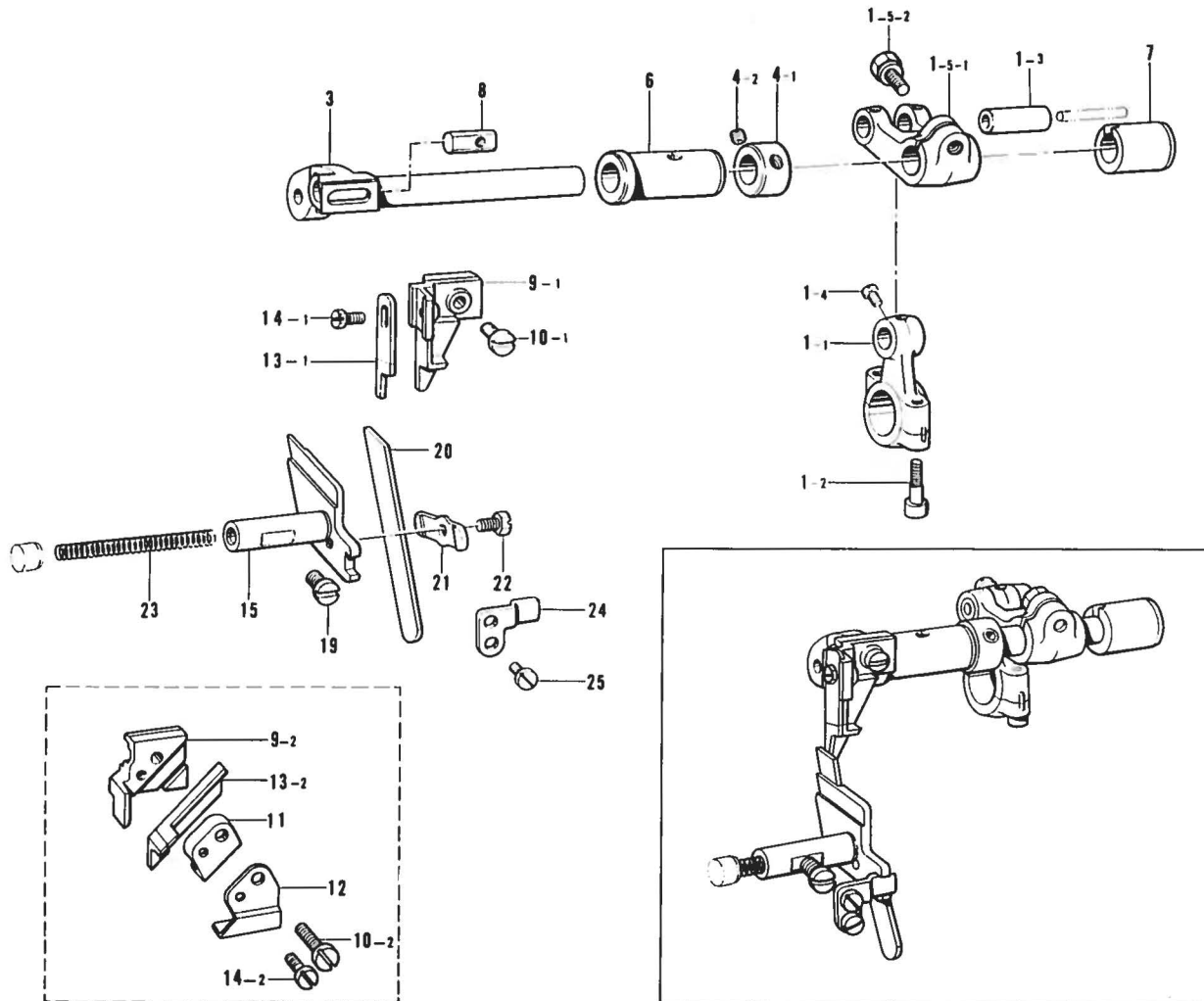
| Ref. No. | Name of Parts | Q'ty | Parts No. | Assembly No. | Ref. No. | Name of Parts | Q'ty | Parts No. | Assembly No. |
|----------|----------------------|------|------------|-------------------------------------------------|----------|--------------------------------------------------|------|------------|--------------|
| 1 | Feed Rock Shaft | 1 | S00154-001 | | 20 | Set Collar | 1 | 155533-001 | |
| 2 | Screw 6.35 x 6 | 2 | 014770-622 | | 21 | Screw 4.37 | 2 | 014680-422 | |
| 3 | Bushing (Left) | 1 | S00155-000 | | 22 | Screw 5.56 | 1 | 146559-001 | |
| 4 | Bushing (Right) | 1 | S00156-000 | | 23 | Spring | 1 | S00167-001 | |
| 5 | Set Collar | 2 | S00157-001 | | 24 | Screw 4.76 | 1 | 100294-002 | |
| 6 | Screw 5.95 | 4 | 152718-001 | | 25 | "O" Ring | 1 | 109203-001 | |
| 7 | Oil Cap | 1 | 150756-000 | | 26 | Pin | 1 | 140063-001 | |
| 8 | Oil Cap | 1 | S00313-000 | | 27-1 | Upper Feed Regulator Plate | 1 | S00168-001 | |
| 10-1 | Feed Rock Arm (A) | 1 | | G-10 Feed Rock Arm Assembly S00158-001 | 27-2 | Upper Feed Regulator Plate | 1 | S00239-001 | |
| 10-2 | Feed Link | 1 | | | 27-3 | Upper Feed Regulator Plate (Bulky) | 1 | S01093-001 | |
| 10-3 | Feed Rock Arm Stud | 1 | | | 27-4 | Upper Feed Regulator Plate (Shirring, Piping) | 1 | S01094-001 | |
| 10-4 | Screw 4.37 | 1 | 014680-422 | | 28 | Stopper | 2 | S00169-001 | |
| 10-5 | Bolt 6.35 x 16 | 1 | 149170-001 | | 29 | Washer | 2 | 118735-002 | |
| 11 | Link Guide Plate | 1 | S00162-001 | | 30 | Bolt 6.35 x 14 | 2 | 017781-412 | |
| 12 | Screw 3.57 x 5 | 2 | 009670-512 | | 31 | Knob | 1 | 155175-001 | |
| 13 | Link Lever | 1 | S00163-001 | | 32 | Screw | 1 | 155176-001 | |
| 14 | Bolt 6.35 x 14 | 1 | 017771-412 | | 33 | Feed Rock Arm (B) | 1 | S00170-001 | |
| 15 | Oil Cap | 1 | 104449-001 | | 34 | Bolt 6.35 x 16 | 1 | 149170-001 | |
| 16 | Feed Adjusting Link | 1 | S00164-001 | | 36 | Stud | 1 | S00172-001 | |
| 17 | Screw 5.56 | 1 | 155167-001 | | 37 | Screw 3.57 | 1 | 148294-001 | |
| 18 | Feed Adjusting Lever | 1 | S00165-001 | | 38 | Screw 3.18 | 1 | 146427-001 | |
| 19 | Bushing | 1 | S00166-000 | | | | | | |

G. Upper feed mechanism (2) / Obertransportvorrichtung (2)
 Mécanisme de l'entraînement supérieur (2) / Mecanismo de la alimentación superior (2)



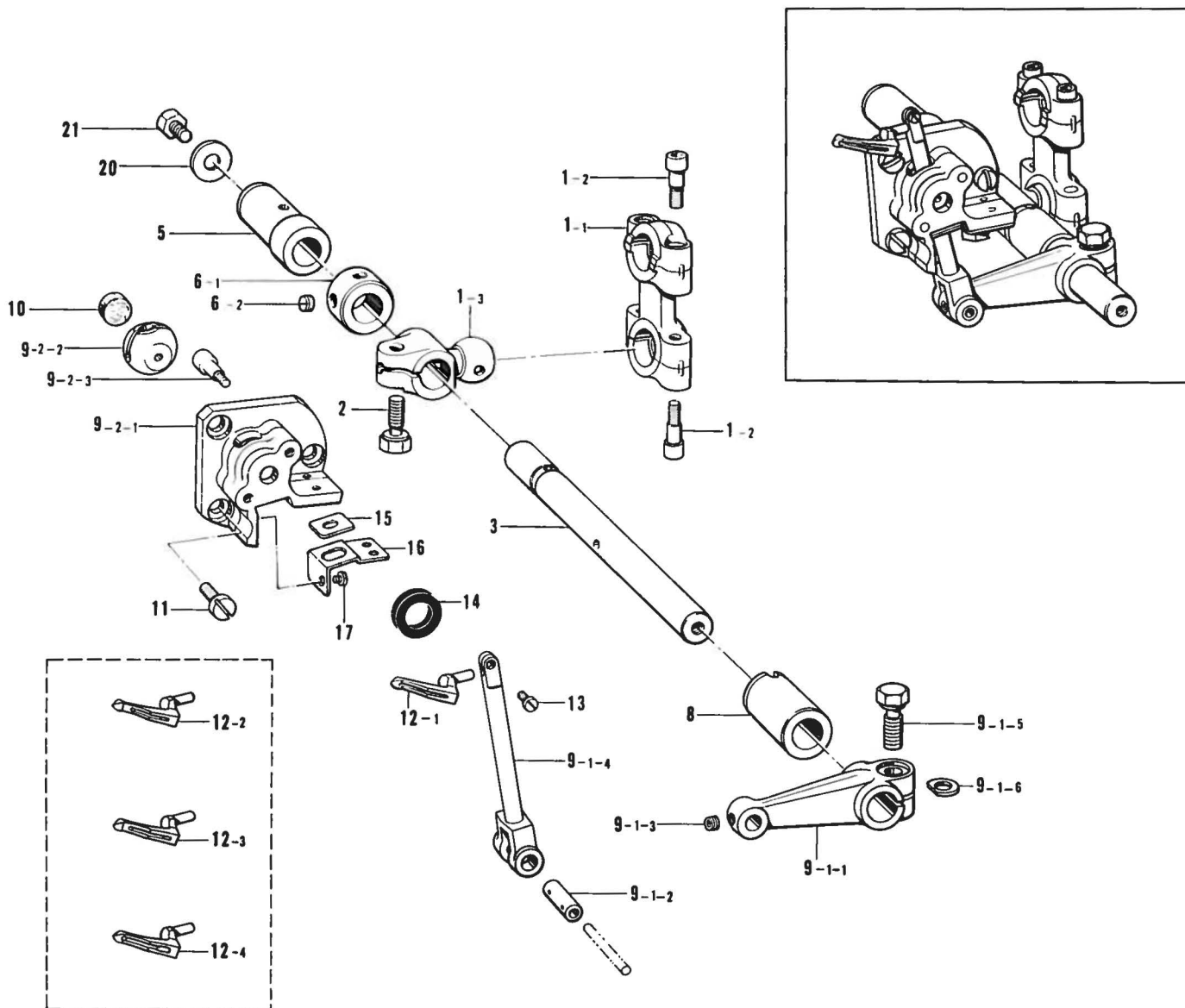
| Ref. No. | Name of Parts | Q'ty | Parts No. | Assembly No. | Ref. No. | Name of Parts | Q'ty | Parts No. | Assembly No. |
|----------|--------------------------------|------|------------|--------------|----------|---------------------------------|------|------------|-------------------------------------------------------------|
| 35 | Upper Feed Connecting Rod | 1 | S00171-001 | | 71 | Oil Cap | 1 | 140065-001 | |
| 39 | Upper Feed Bar | 1 | S00173-001 | | 72 | Bushing (R) | 1 | S00191-000 | |
| 40 | Feed Forked Connector | 1 | S00174-001 | | 73 | Oil Cap | 1 | 154841-001 | |
| 41 | Stud | 1 | S00175-001 | | 74 | Set Collar | 1 | S00192-001 | |
| 42 | Screw 3.57 | 1 | 148294-001 | | 75 | Screw 4.37 x 7 | 1 | 009680-712 | |
| 43 | Feed Rock Arm | 1 | S00176-001 | | 76 | Upper Feed Lifting Arm | 1 | S00193-001 | |
| 44 | Screw 5.95 x 12 | 1 | 009761-212 | | 77 | Bolt 6.35 x 16 | 1 | 149170-001 | |
| 45 | Pin | 1 | S00177-001 | | 78 | Upper Feed Lifting Lever | 1 | S00194-001 | |
| 46 | Screw 4.37 | 1 | 014680-422 | | 79 | Screw 5.95 | 1 | S00195-001 | |
| 47 | Upper Feed Bar Guide (A) | 1 | S00178-001 | | 80 | Upper Feed Lifting Shaft | 1 | S00196-001 | |
| 48 | Screw 3.57 x 5 | 2 | 001670-512 | | 81 | Spring | 1 | S00197-001 | |
| 49 | Upper Feed Bar Guide (B) | 1 | S00179-000 | | 82 | Stop Ring E-4 | 1 | 048040-342 | |
| 50 | Upper Feed Bar Guide (B) Cover | 1 | S00180-000 | | 83 | Presser Lifting Link | 1 | S00198-001 | |
| 51 | Screw 3.57 x 14 | 2 | 151626-001 | | 84 | Pin | 1 | 110793-001 | |
| 52 | Spring Plate (U) | 1 | S00181-001 | | 85-1 | Presser Bar Bracket | 1 | S00200-001 | G-85 Upper Feed Presser Bar Assembly S00199-001 |
| 53 | Spring Plate (D) | 1 | S00182-001 | | 85-2 | Presser Bar | 1 | S00201-001 | |
| 54 | Screw 3.57 x 6 | 2 | 009670-612 | | 86 | Presser Bar Roller | 1 | S00202-001 | |
| 55 | Oil Rejector | 1 | S00183-000 | | 87 | Presser Bar Roller Stud | 1 | S00203-001 | |
| 56 | Fragment Protector Plate | 1 | S00184-001 | | 88 | Screw 3.18 | 1 | 146427-001 | |
| 57 | Screw 3.57 x 6 | 1 | 009670-612 | | 89 | Upper Feed Presser Spring | 1 | S00204-001 | |
| 58 | Feed Arm | 1 | S00185-001 | | 90 | Presser Adjusting Screw | 1 | S00205-001 | |
| 59 | Bolt 6.35 x 16 | 1 | 017771-612 | | 91 | Nut for Presser Adjusting Screw | 1 | S00051-001 | |
| 60 | Feed Link | 1 | S00186-001 | | 92 | Bushing | 1 | S00207-000 | |
| 61 | Feed Rock Shaft Arm Pin | 1 | 109153-001 | | 100 | Screw 3.57 x 7 | 1 | S00208-001 | |
| 62 | Screw 4.37 | 1 | 014680-422 | | 101-1 | Upper Feed Dog | 1 | S00209-001 | |
| 63 | Feed Adjusting Arm | 1 | S00187-001 | | 101-2 | Upper Feed Dog | 1 | S00240-001 | |
| 64 | Feed Link Shaft | 1 | S00188-001 | | 101-3 | Upper Feed Dog (Shirring) | 1 | S01129-001 | |
| 65 | Washer | 1 | 113431-002 | | 101-4 | Upper Feed Dog (Piping) | 1 | S01131-001 | |
| 66 | Nut 4.76 | 1 | 148838-001 | | 101-5 | Upper Feed Dog (Denim) | 1 | S01133-001 | |
| 67 | Bolt 6.35 x 14 | 1 | 017771-412 | | 101-6 | Upper Feed Dog (Taping) | 1 | S01137-001 | |
| 68 | Oil Cap | 1 | 104449-001 | | | | | | |
| 69 | Feed Shaft | 1 | S00189-001 | | | | | | |
| 70 | Bushing (L) | 1 | S00190-000 | | | | | | |

H. Knife mechanism / Messer
 Mécanisme du couteau / Mecanismo del cuchilla



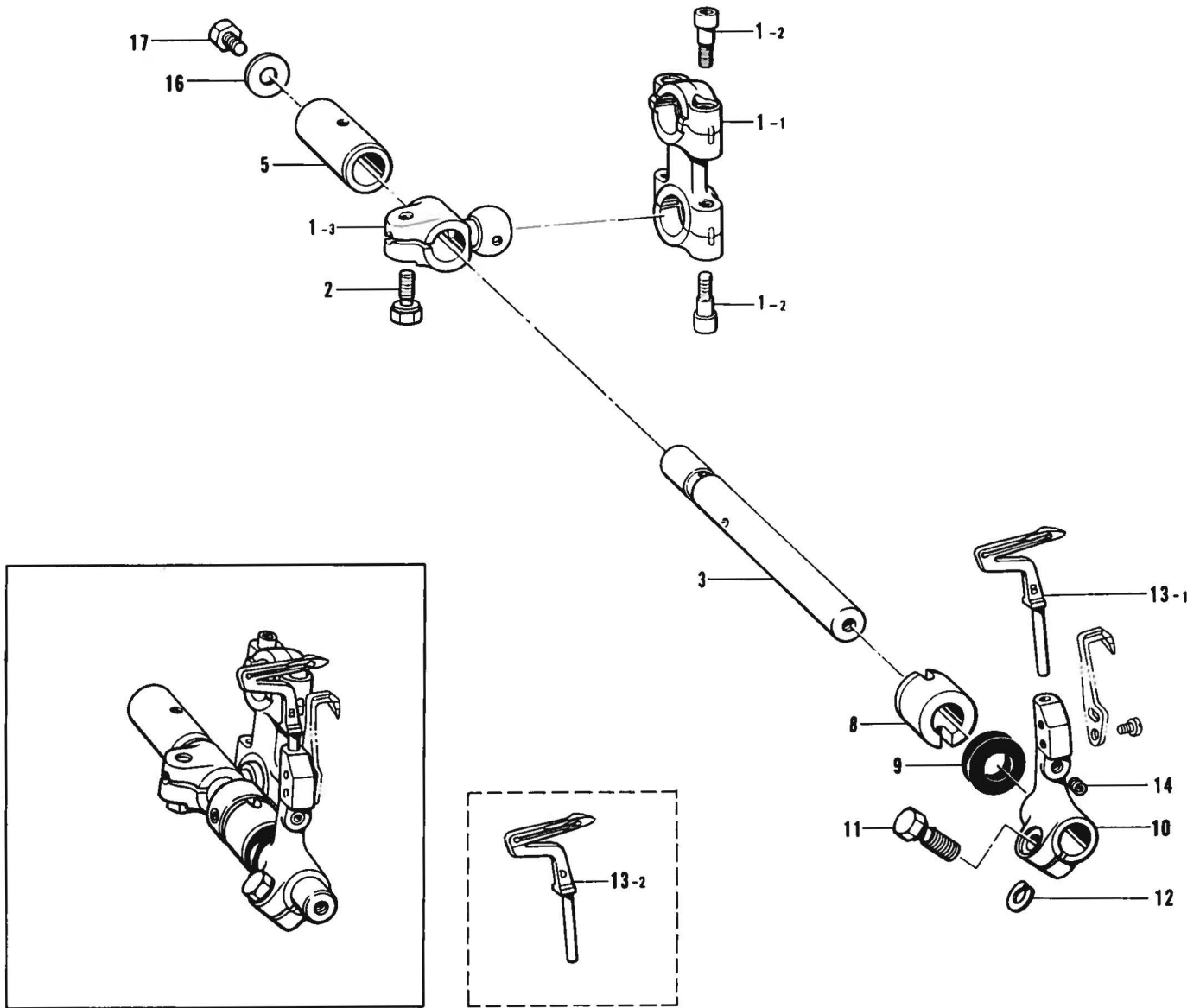
| Ref. No. | Name of Parts | Q'ty | Parts No. | Assembly No. | Ref. No. | Name of Parts | Q'ty | Parts No. | Assembly No. |
|----------|---------------------------|------|------------|------------------------------------|----------|------------------------------|------|------------|--------------|
| 1-1 | Upper Knife Driving Rod | 1 | | H-1 | 10- 1 | Screw 4.37 | 1 | 107407-003 | |
| 1-2 | Screw 4.37 x 14 | 2 | 148425-001 | Upper Knife Driving Rod Assembly | 10- 2 | Screw 4.37 x 16 | 1 | 009681-612 | |
| 1-3 | Pin | 1 | | ※ 155181-001 | 11 | Upper Knife Presser | 1 | 148343-001 | |
| 1-4 | Screw 4.37 | 1 | 100366-001 | | 12 | Presser Plate | 1 | 148344-001 | |
| 1-5-1 | Upper Knife Driving Lever | 1 | | H-1-5 | 13- 1 | Upper Knife | 1 | 144074-000 | |
| 1-5-2 | Bolt 6.35 x 16 | 1 | 149170-001 | Upper Knife Driving Lever Assembly | 13- 2 | Angle Knife with Carbide Tip | 1 | 148815-001 | |
| 3 | Upper Knife Driving Arm | 1 | S00274-001 | 156318-001 | 14- 1 | Bolt 3.57 | 1 | 144075-001 | |
| 4-1 | Set Collar | 1 | | H-4 | 14- 2 | Screw 3.57 | 1 | 113050-001 | |
| 4-2 | Screw 5.95 | 2 | 152718-001 | Set Collar with Screw | 15 | Lower Knife Holder | 1 | 155191-001 | |
| 6 | Bushing (L) | 1 | 155186-000 | 159441-001 | 19 | Screw 6.35 | 1 | 102627-001 | |
| 7 | Bushing (R) | 1 | S00210-000 | | 20 | Lower Knife | 1 | 155193-001 | |
| 8 | Nut | 1 | 148281-001 | | 21 | Lower Knife Presser Plate | 1 | 155194-001 | |
| 9- 1 | Upper Knife Holder | 1 | 155187-001 | | 22 | Bolt 4.37 | 1 | 117516-001 | |
| 9- 2 | Upper Knife Holder | 1 | 155189-001 | | 23 | Spring | 1 | 146584-001 | |
| | | | | | 24 | Lower Knife Holder Guide | 1 | 155195-001 | |
| | | | | | 25 | Screw 3.57 x 6 | 2 | 009670-612 | |

J. Over looper mechanism / Oberen Greifer
Mécanisme du boucleur supérieur / Mecanismo del presilladora superior



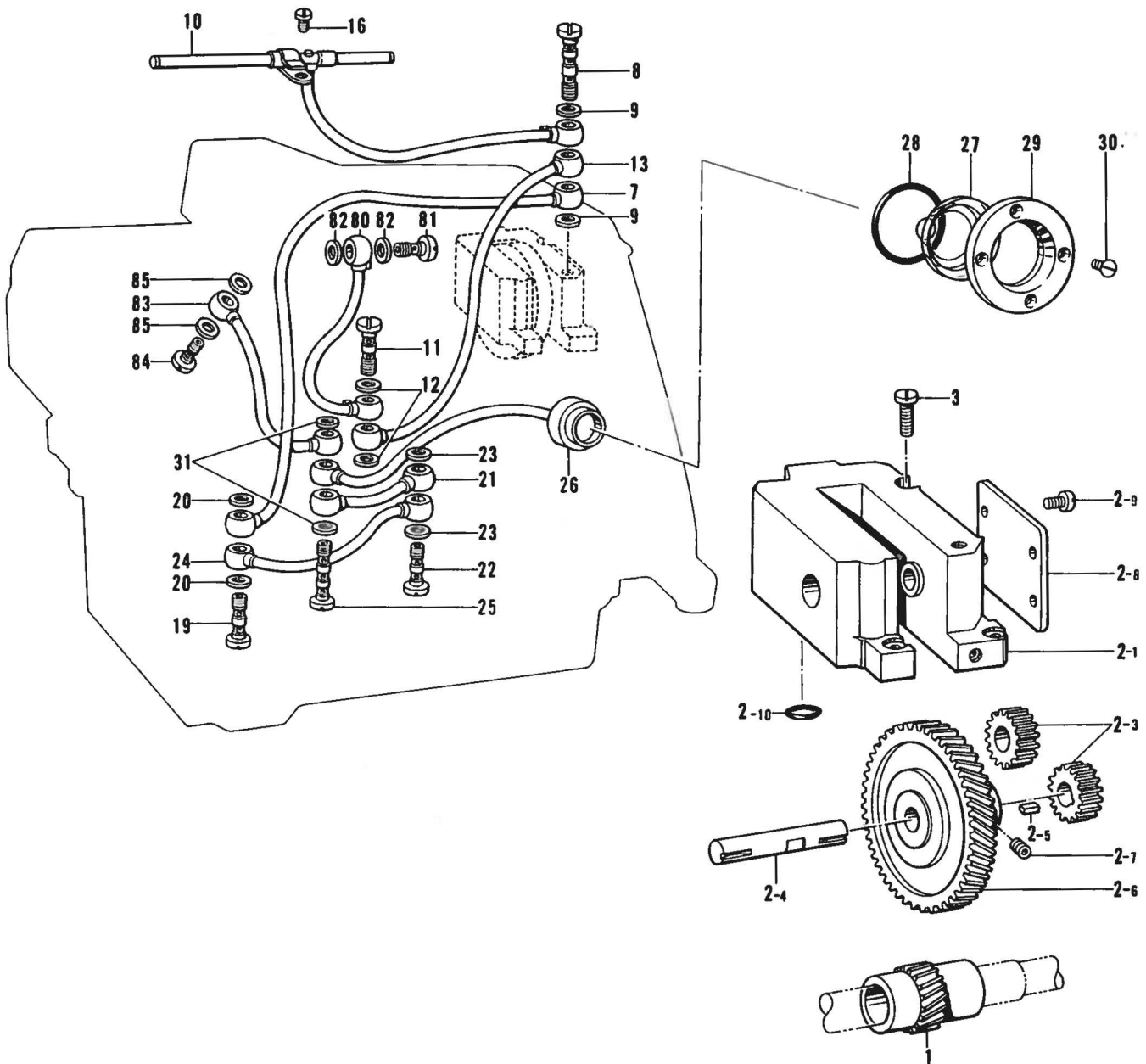
| Ref. No. | Name of Parts | Q'ty | Parts No. | Assembly No. | Ref. No. | Name of Parts | Q'ty | Parts No. | Assembly No. |
|----------|---------------------------|------|------------|----------------------------------------------------|----------|--------------------------------|------|------------|----------------------------------------|
| 1- 1 | Looper Connecting Rod | 1 | | J-1 Looper Connecting Rod Assembly * 155225-001 | 9- 2-1 | Over Looper Holder Guide Base | 1 | | J-9 Over Looper Assembly 155231-001 |
| 1- 2 | Screw 4.37 x 14 | 4 | 148425-001 | | 9- 2-2 | Over Looper Holder Guide Block | 1 | | |
| 1- 3 | Looper Connecting Lever | 1 | | | 9- 2-3 | Screw 4.37 x 14 | 2 | 148425-001 | |
| 2 | Bolt 6.35 x 14 | 1 | 155516-001 | | 10 | Felt | 1 | 155238-000 | |
| 3 | Looper Shaft | 1 | 155228-001 | | 11 | Screw 4.37 x 8 | 3 | 009680-812 | |
| 5 | Bushing (B) | 1 | 155229-000 | | 12- 1 | Over Looper | 1 | 155240-001 | |
| 6- 1 | Set Collar | 1 | | J-6 Set Collar with Screw 159441-001 | 12- 2 | Over Looper | 1 | 155242-001 | |
| 6- 2 | Screw 5.95 | 2 | 152718-000 | | 12- 3 | Over Looper | 1 | 155243-101 | |
| 8 | Bushing (F) | 1 | S00379-000 | | 12- 4 | Over Looper | 1 | 159883-001 | |
| 9- 1-1 | Over Looper Driving Lever | 1 | | J-9 Over Looper Assembly 155231-001 | 13 | Screw 3.18 x 6 | 1 | 009660-612 | |
| 9- 1-2 | Over Looper Holding Shaft | 1 | | | 14 | Seal | 1 | 155247-000 | |
| 9- 1-3 | Screw 4.37 | 1 | 014680-422 | | 15 | Over Looper Oil Rejector | 1 | 156476-000 | |
| 9- 1-4 | Over Looper Holder | 1 | | | 16 | Oil Rejector Supporter | 1 | 156491-001 | |
| 9- 1-5 | Bolt 6.35 x 16 | 1 | 149170-001 | | 17 | Screw 3.57 | 3 | 106568-003 | |
| 9- 1-6 | Spacer | 1 | 155162-001 | | 20 | Washer | 1 | S00356-001 | |
| | | | | | 21 | Bolt 5.56 x 8 | 1 | S00383-001 | |

K. Under looper mechanism / Unterer Greifer
Mécanisme du boucleur inférieur / Mecanismo del presilladora inferior



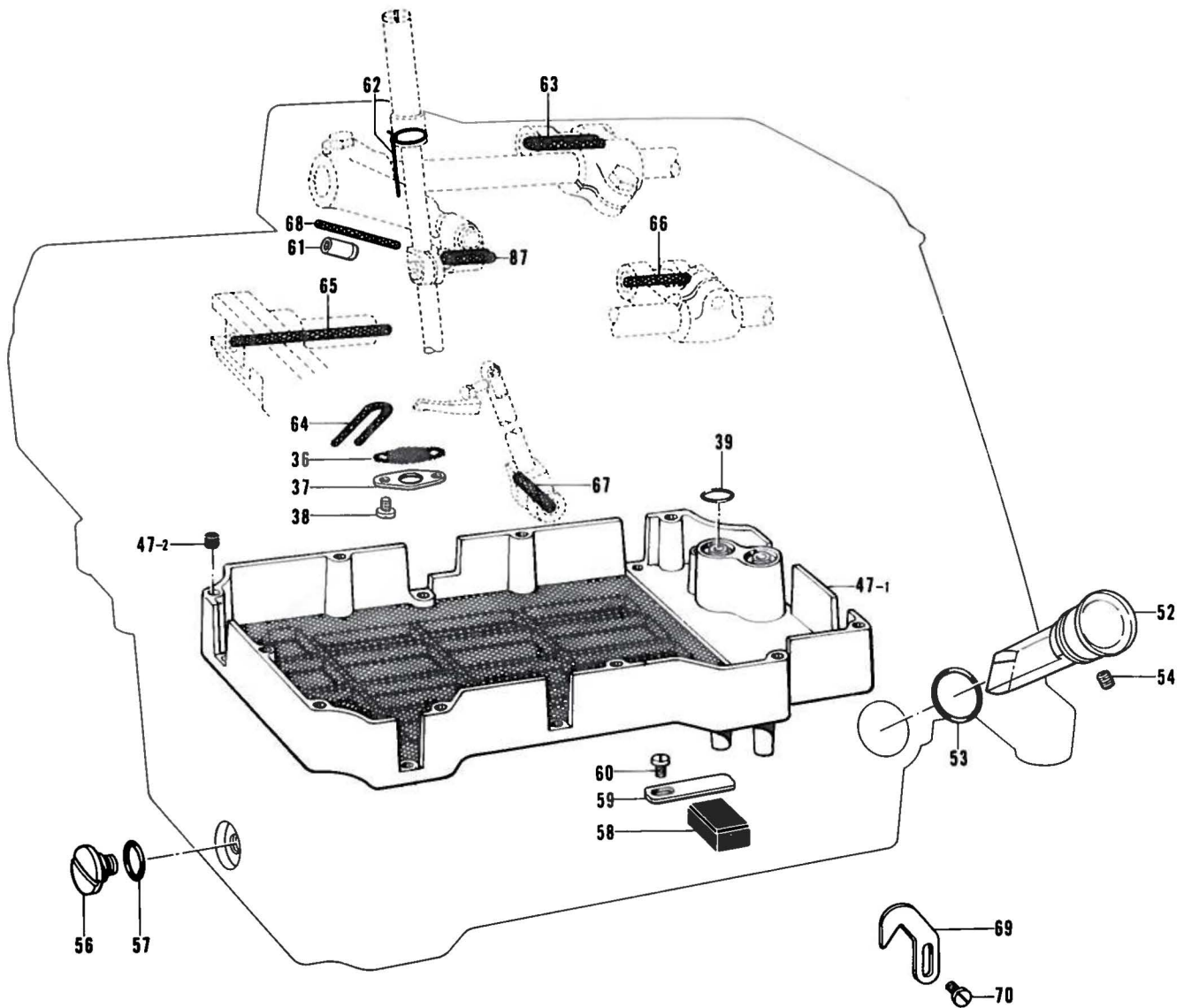
| Ref. No. | Name of Parts | Q'ty | Parts No. | Assembly No. | Ref. No. | Name of Parts | Q'ty | Parts No. | Assembly No. |
|----------|--------------------------------|------|------------|---------------------------------------------------|---------------|---------------------|------------|------------|--------------|
| 1-1 | Looper Connecting Rod | 1 | | K-1 Looper Connecting Rod Assembly *155225-001 | 10 | Under Looper Holder | 1 | 155248-001 | |
| 1-2 | Screw 4.37 x 14 | 4 | 148425-001 | | 11 | Bolt 5.56 x 14 | 1 | 149171-001 | |
| 1-3 | Looper Connecting Lever | 1 | | | 12 | Spacer | 1 | 148782-001 | |
| 2 | Bolt 6.35 x 14 | 1 | 155516-001 | | 13- 1 | Under Looper | 1 | 159434-001 | |
| 3 | Under Looper Shaft | 1 | 155244-001 | | 13- 2 | Under Looper | 1 | 159885-001 | |
| 5 | Under Looper Shaft Bushing (B) | 1 | 155245-000 | 14 | Screw 4.37 | 1 | 014680-422 | | |
| 8 | Under Looper Shaft Bushing (F) | 1 | 155246-000 | 16 | Washer | 1 | S00356-001 | | |
| 9 | Seal | 1 | 155247-000 | 17 | Bolt 5.56 x 8 | 1 | S00383-001 | | |

L. Lubrication (I) / Schmierung (I)
 Lubrification (I) / Lubricación (I)



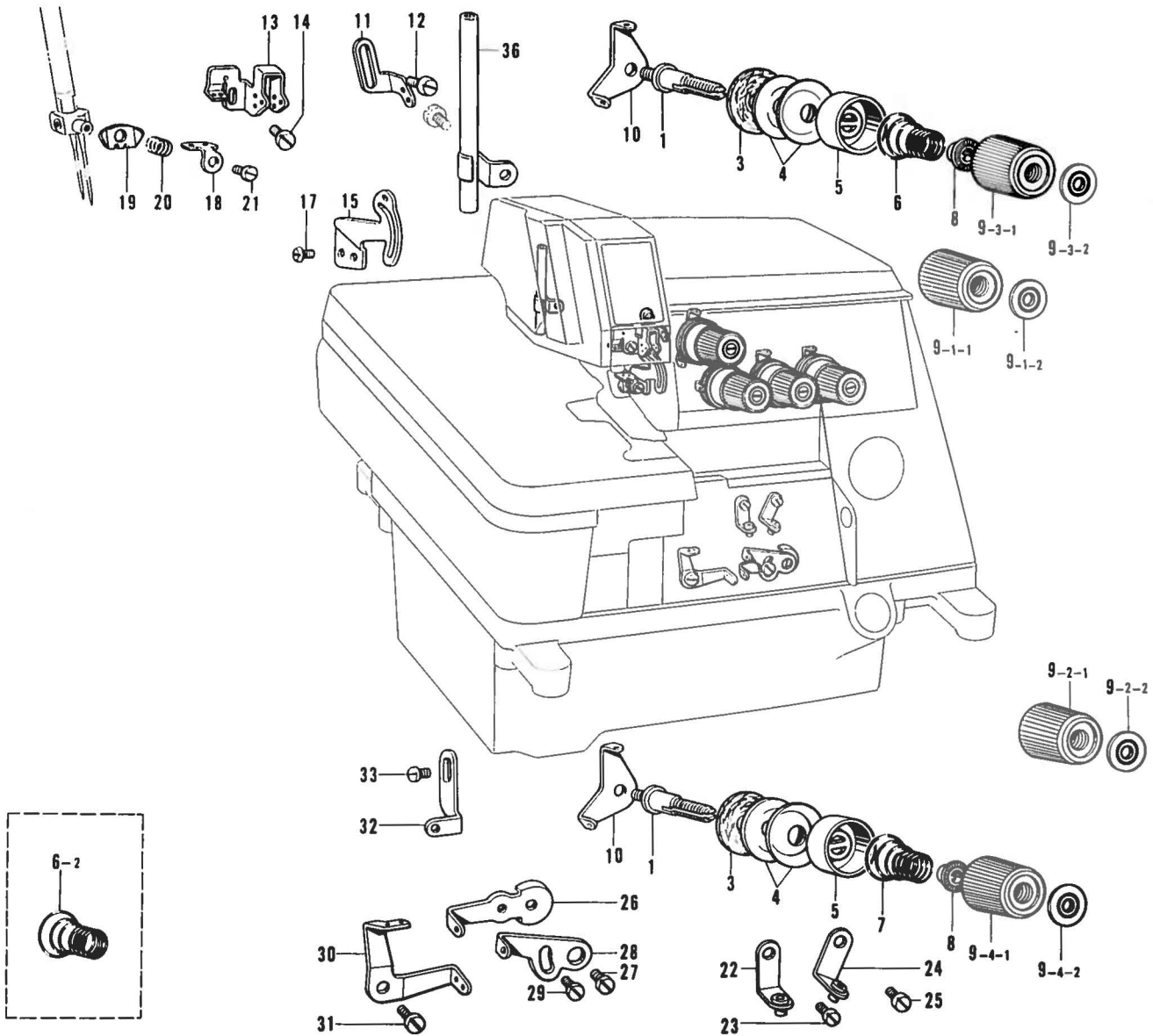
| Ref. No. | Name of Parts | Q'ty | Parts No. | Assembly No. | Ref. No. | Name of Parts | Q'ty | Parts No. | Assembly No. |
|----------|----------------------|------|------------|------------------------------------|--------------------|----------------------|------------|------------|--------------|
| 1 | Gear S | 1 | 156432-001 | L-2 Pump Assembly S00057-001 | 19 | Oil Feeding Pipe (A) | 1 | 112364-001 | |
| 2- 1 | Pump Case | 1 | | | 20 | Packing | 2 | 112348-001 | |
| 2- 3 | Pump Gear D | 2 | 156426-000 | | 21 | Vinyl Tube | 1 | 155282-001 | |
| 2- 4 | Gear (L) Shaft | 1 | 156427-001 | | 22 | Oil Feeding Pipe (B) | 1 | 112364-001 | |
| 2- 5 | Key | 1 | 156429-001 | | 23 | Packing | 2 | 112348-001 | |
| 2- 6 | Gear L | 1 | 156428-000 | | 24 | Vinyl Tube | 1 | 155284-001 | |
| 2- 7 | Screw 4.37 x 6 | 2 | 014680-622 | | 25 | Oil Feeding Pipe (B) | 1 | 112351-001 | |
| 2- 8 | Pump Cover | 1 | 156430-001 | | 26 | Pilot-Light Gauge | 1 | 155286-101 | |
| 2- 9 | Screw 3.57 x 6 | 4 | 009670-612 | | 27 | Pilot-Light Lens | 1 | 155290-000 | |
| 2-10 | "O" Ring P8 | 1 | 081008-070 | | 28 | "O" Ring P22 | 1 | 081022-070 | |
| 3 | Screw 4.37 x 12 | 4 | 009681-212 | 29 | Lens Presser Plate | 1 | 155291-001 | | |
| 7 | Vinyl Tube | 1 | 156469-001 | 30 | Screw 3.57 | 4 | 102538-002 | | |
| 8 | Oil Feeding Pipe (A) | 1 | 112351-001 | 31 | Packing | 2 | 112348-001 | | |
| 9 | Packing | 2 | 112348-001 | 80 | Vinyl Tube | 1 | S00322-001 | | |
| 10 | Main Oil Pipe | 1 | S00211-001 | 81 | Screw | 1 | 112359-001 | | |
| 11 | Oil Feeding Pipe (B) | 1 | 112364-001 | 82 | Packing | 2 | 112348-001 | | |
| 12 | Packing | 2 | 112348-001 | 83 | Vinyl Tube | 1 | 156897-001 | | |
| 13 | Tube Assembly | 1 | 155292-001 | 84 | Screw | 1 | 112359-001 | | |
| 16 | Screw 3.57 x 6 | 1 | 009670-612 | 85 | Packing | 2 | 112348-001 | | |

L. Lubrication (2) / Schmierung (2)
 Lubrification (2) / Lubricación (2)



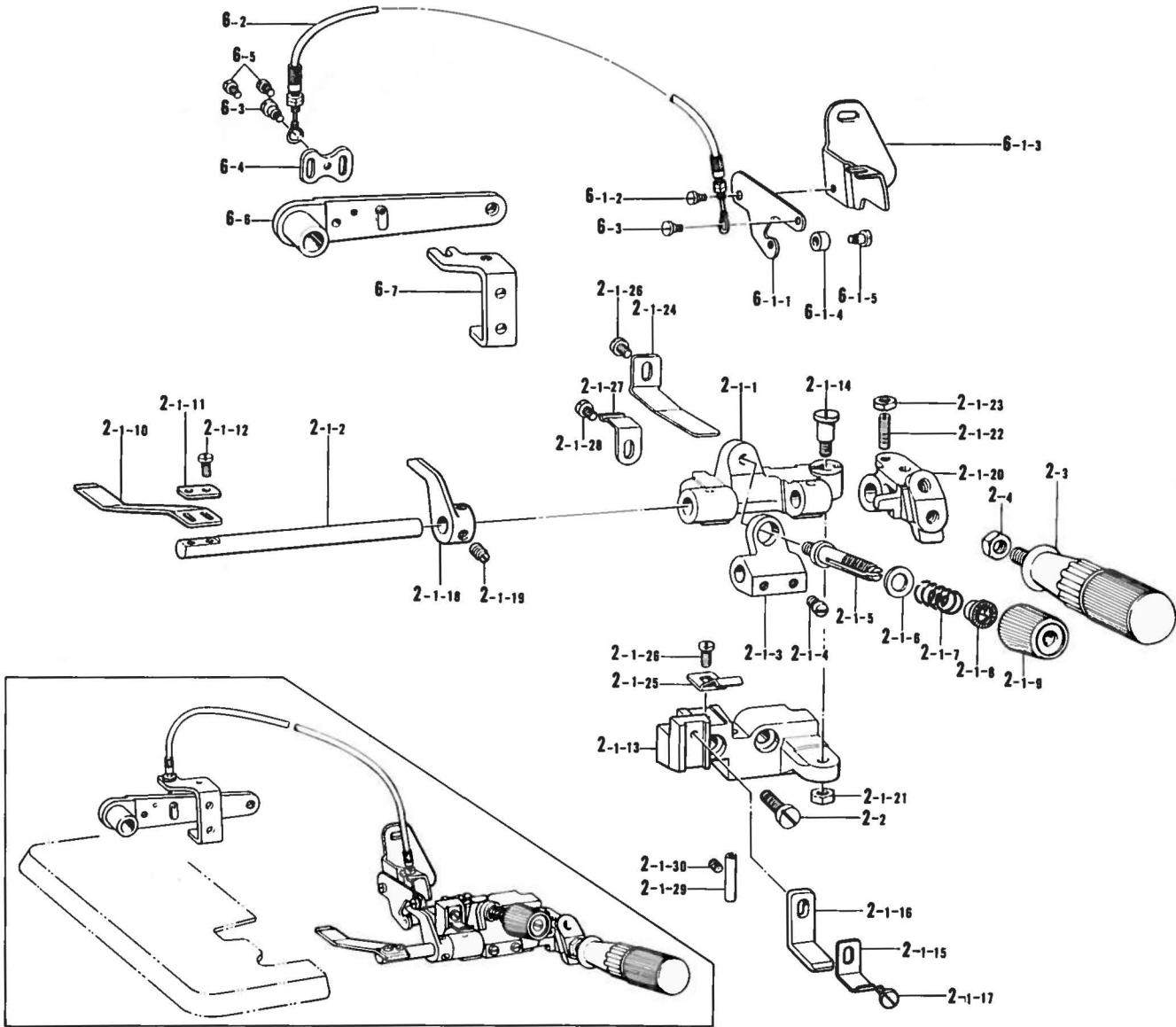
| Ref. No. | Name of Parts | Q'ty | Parts No. | Assembly No. | Ref. No. | Name of Parts | Q'ty | Parts No. | Assembly No. |
|----------|-------------------|------|------------|----------------------------------------------|----------|-----------------|------|------------|--------------|
| 36 | Oil Filter Guide | 1 | 155294-000 | | 60 | Screw 3.57 x 6 | 1 | 009670-612 | |
| 37 | Oil Filter Frange | 1 | 155295-001 | | 61 | Oil Pipe | 1 | S00213-000 | |
| 38 | Screw 3.57 x 5 | 2 | 009670-512 | | 62 | Wick | 1 | S00305-000 | |
| 39 | "O" Ring | 1 | 108549-001 | | 63 | Wick | 1 | 140320-000 | |
| 47-1 | Oil Filter | 1 | | L-47 Oil Filter Assembly S00065-001 | 64 | Wick | 1 | 112750-000 | |
| 47-2 | Oil Cap | 10 | 140327-001 | | 65 | Wick | 1 | 147362-000 | |
| 52 | Oil Gauge Window | 1 | S00067-001 | | 66 | Wick | 1 | 140317-000 | |
| 53 | "O" Ring | 1 | 081016-070 | | 67 | Wick | 1 | 140417-000 | |
| 54 | Screw 3.57 | 1 | 148294-001 | | 68 | Wick | 1 | 140430-001 | |
| 56 | Screw 9.52 | 1 | 110641-002 | | 69 | Adjusting Plate | 1 | 155552-001 | |
| 57 | Packing | 1 | 109203-001 | | 70 | Screw 3.57 x 6 | 2 | 009670-612 | |
| 58 | Hagnet | 1 | 112525-000 | | 87 | Wick | 1 | S00278-000 | |
| 59 | Spring Plate | 1 | 152936-001 | | | | | | |

M. Thread tension / Fadenspannung
Tension du fil / Tensión del hilo



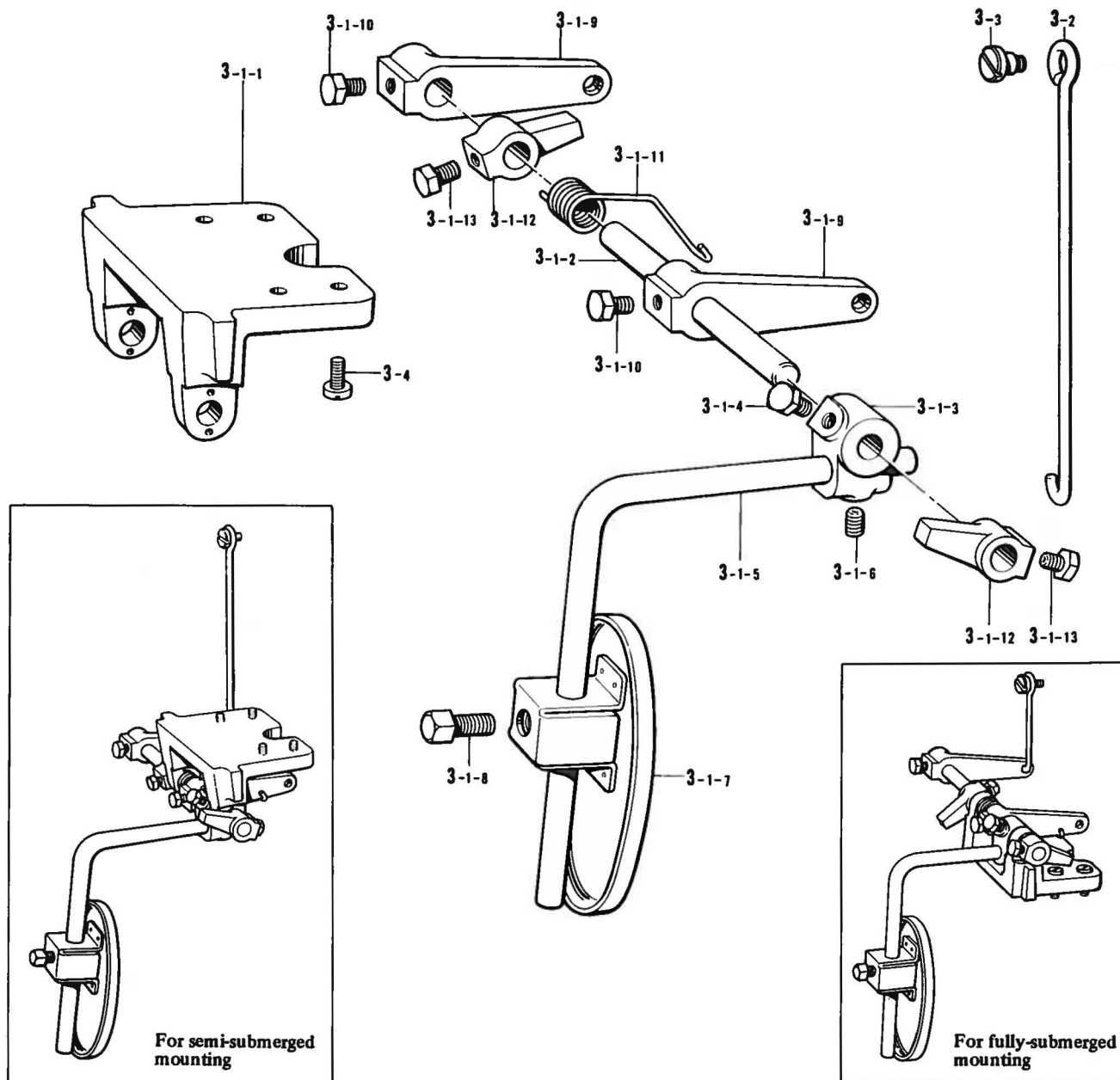
| Ref. No. | Name of Parts | Q'ty | Parts No. | Assembly No. | Ref. No. | Name of Parts | Q'ty | Parts No. | Assembly No. |
|----------|------------------------------|------|------------|---------------------------------------------------------------------|----------|-----------------------------|------|------------|--------------|
| 1 | Thread Tension Control Stud | 4 | 159574-001 | | 10 | Needle Thread Guide Plate | 4 | 110813-001 | |
| 3 | Felt | 4 | 110832-001 | | 11 | Needle Thread Guide (B) | 1 | S00215-001 | |
| 4 | Tension Disc | 8 | 145446-001 | | 12 | Screw 3.57 x 6 | 2 | 009670-612 | |
| 5 | Tension Disc Washer | 4 | 144103-003 | | 13 | Needle Thread Guide (A) | 1 | 155305-101 | |
| 6- 1 | Spring | 2 | 144104-001 | | 14 | Screw 3.57 x 6 | 1 | 001670-612 | |
| 6- 2 | Spring | 2 | 148851-001 | | 15 | Needle Thread Take-up | 1 | 155306-001 | |
| 7 | Spring | 2 | 144110-001 | | 17- | Screw 3.57 x 6 | 2 | 001670-612 | |
| 8 | Tension Spring Washer | 4 | 144105-000 | | 18 | Needle Thread Guide (C) | 1 | 155307-101 | |
| 9- 1- 1 | Thread Tension Adjusting Nut | 1 | 149566-002 | M-9-1, Thread Tension Adjusting Nut Assembly 155696-001 | 19 | Needle Thread Guard | 1 | 155308-101 | |
| 9- 1- 2 | Tension Indicating Plate | 1 | 155697-001 | | 20 | Needle Thread Guard Spring | 1 | 155310-001 | |
| 9- 2- 1 | Thread Tension Adjusting Nut | 1 | 149566-002 | M-9-2 Thread Tension Adjusting Nut Assembly 155696-002 | 21 | Screw 2.38 | 1 | 105288-001 | |
| 9- 2- 2 | Tension Indicating Plate | 1 | 155697-002 | | 22 | Thread Guide | 1 | 146926-003 | |
| 9- 3- 1 | Thread Tension Adjusting Nut | 1 | 149566-002 | M-9-3 Thread Tension Adjusting Nut Assembly 155696-003 | 23 | Screw 3.57 x 6 | 1 | 009670-612 | |
| 9- 3- 2 | Tension Indicating Plate | 1 | 155697-003 | | 24 | Under Looper Thread Guide | 2 | 146926-002 | |
| 9- 4- 1 | Thread Tension Adjusting Nut | 1 | 149566-002 | M-9-4 Thread Tension Adjusting Nut Assembly 155696-004 | 25 | Screw 3.57 x 6 | 1 | 009670-612 | |
| 9- 4- 2 | Tension Indicating Plate | 1 | 155697-004 | | 26 | Under Looper Thread Take-up | 1 | 155311-001 | |
| | | | | | 27 | Screw 3.57 x 6 | 1 | 009670-612 | |
| | | | | | 28 | Over Looper Thread Take-up | 1 | 155312-001 | |
| | | | | | 29 | Screw 3.57 x 6 | 1 | 009670-612 | |
| | | | | | 30 | Looper Thread Take-up (L) | 1 | 146654-001 | |
| | | | | | 31 | Screw 3.57 x 6 | 1 | 009670-612 | |
| | | | | | 32 | Over Looper Thread Guide | 1 | 155313-001 | |
| | | | | | 33 | Screw 3.57 x 6 | 1 | 009670-612 | |

**N. Shirring Attachment (1) / Kräuselvorrichtung (1)
 Accessoire pour fronces (1) / Accesorio de tundido (1)**



| Ref. No. | Name of Parts | Q'ty | Parts No. | Assembly No. | Ref. No. | Name of Parts | Q'ty | Parts No. | Assembly No. |
|----------|------------------------------------|------|------------|-----------------------------------------------------------|----------|-----------------------------------|------|------------|-------------------------------------------------------------------|
| 2-1-1 | Bracket for Ruffling Blade | 1 | 146588-001 | N-2-1 Shirring Attachment Assembly S01069-001 | 2-1-23 | Nut 4.37 | 1 | 105234-003 | N-2-1 Shirring Attachment Assembly S01069-001 |
| 2-1-2 | Ruffling Blade Base Shaft | 1 | 145803-001 | | 2-1-24 | Spring Plate | 1 | 145811-001 | |
| 2-1-3 | Spring Base | 1 | 146590-001 | | 2-1-25 | Spring Plate | 1 | 145808-001 | |
| 2-1-4 | Screw 5.95 | 2 | 105163-001 | | 2-1-26 | Screw 4.37 x 6 | 2 | 009680-612 | |
| 2-1-5 | Looper Thread Tension Control Stud | 1 | 110820-001 | | 2-1-27 | Spring | 1 | 144764-001 | |
| 2-1-6 | Washer 6.35 | 1 | 025770-232 | | 2-1-28 | Screw 3.57 x 5 | 1 | 001670-512 | |
| 2-1-7 | Spring | 1 | 144788-001 | | 2-1-29 | Thread Guide Pipe | 2 | 146592-001 | |
| 2-1-8 | Tension Spring Washer | 1 | 144105-000 | | 2-1-30 | Screw 3.57 | 2 | 013679-412 | |
| 2-1-9 | Thread Tension Adjusting Nut | 1 | 149566-002 | | 2-2 | Screw 6.35 x 18 | 2 | 009781-812 | N-2 Shirring Assembly S01068-002 |
| 2-1-10 | Separator | 1 | S01057-001 | | 2-3 | Handle | 1 | 145809-001 | |
| 2-1-11 | Washer | 1 | 144784-001 | | 2-4 | Nut 6.35 | 1 | 150556-002 | N-6-1 Shirring Plate Lifter Lever Assembly S00082-001 |
| 2-1-12 | Screw 3.18 x 7 | 2 | 009660-712 | | 6-1-1 | Ruffling Plate Lifter Lever | 1 | 148388-001 | |
| 2-1-13 | Ruffling Base | 1 | | | 6-1-2 | Screw | 1 | 141514-001 | |
| 2-1-14 | Stud Screw 5.95 | 1 | 147933-001 | | 6-1-3 | Presser Foot Lifter Lever Support | 1 | S00083-001 | |
| 2-1-15 | Ruffling Blade Guide | 1 | 145807-001 | | 6-1-4 | Roller | 1 | 148390-001 | |
| 2-1-16 | Ruffling Blade Guide Plate (D) | 1 | 154795-001 | | 6-1-5 | Stud Screw 3.18 | 1 | 112301-001 | |
| 2-1-17 | Screw 4.37 x 8 | 1 | 009680-812 | | 6-2 | Flexible Wire Assembly | 1 | 148391-001 | |
| 2-1-18 | Ruffling Plate Lifter | 1 | 148387-001 | | 6-3 | Screw | 2 | 141514-001 | |
| 2-1-19 | Screw 6.35 | 2 | 101706-001 | | 6-4 | Wire Plate | 1 | 147672-001 | |
| 2-1-20 | Handle Fixing Plate | 1 | 145810-001 | | 6-5 | Screw 3.57 x 6 | 2 | 009670-612 | |
| 2-1-21 | Nut 5.95 | 1 | 150553-002 | | 6-6 | Presser Foot Lifter Lever | 1 | S01074-001 | |
| 2-1-22 | Screw 4.37 | 1 | 110230-001 | | 6-7 | Lever Adjuster Plate | 1 | S01075-001 | |

N. Shirring Attachment (2) / Kräuselvorrichtung (2)
 Accessoire pour fronces (2) / Accesorio de tundido (2)

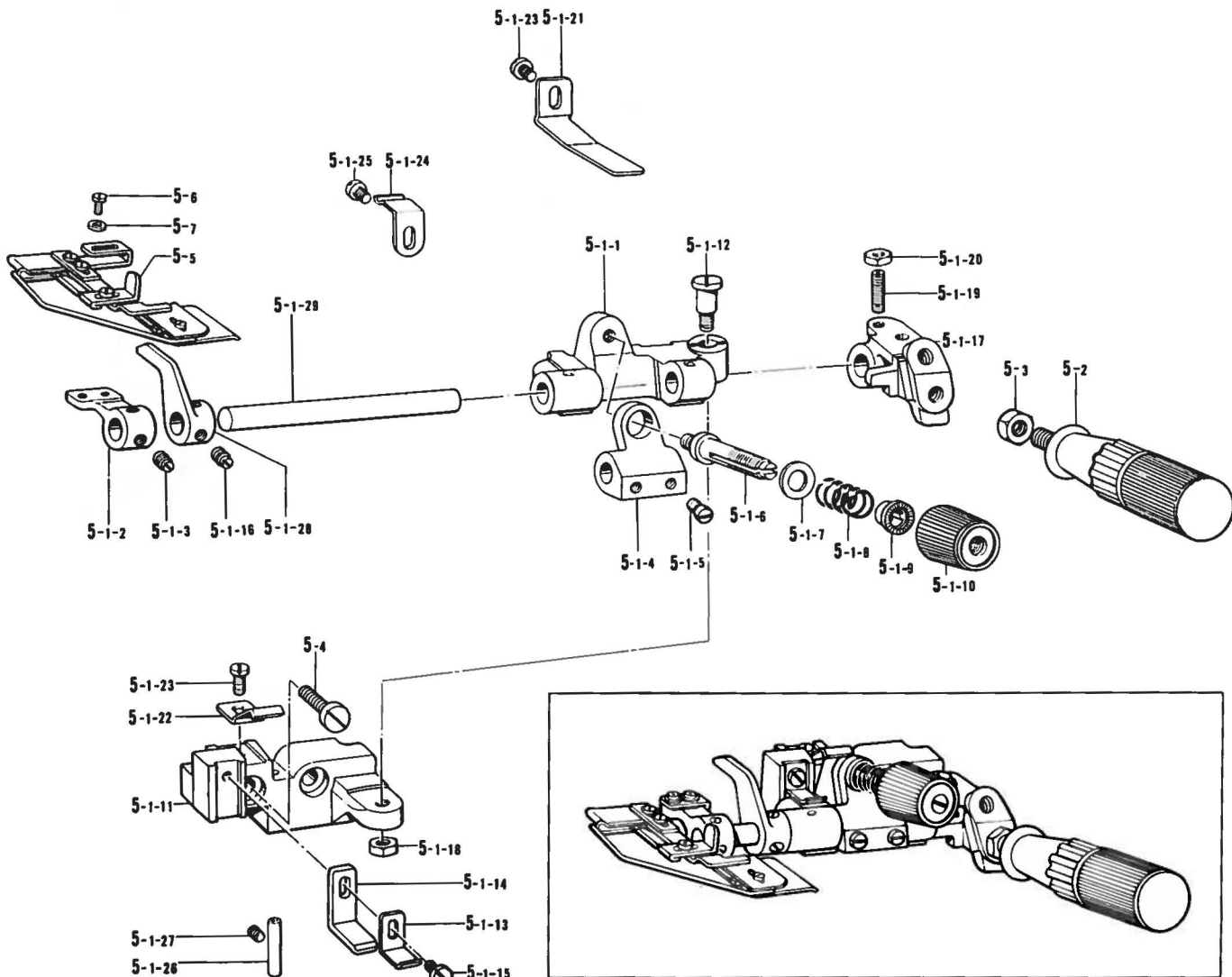


| Ref. No. | Name of Parts | Q'ty | Parts No. | Assembly No. | Ref. No. | Name of Parts | Q'ty | Parts No. | Assembly No. |
|----------|---------------------------|------|------------|-----------------------------------------------------------------------|----------|-------------------|------|------------|-----------------------------------------------------------------------|
| 3-1- 1 | Knee Lifter Shaft Bracket | 1 | 155197-001 | N-3-1 Differential Feed Adjustment Assembly S01071-001 | 3-1- 9 | Knee Lifter Lever | 2 | 155201-001 | N-3-1 Differential Feed Adjustment Assembly S01071-001 |
| 3-1- 2 | Knee Lifter Shaft | 1 | S01072-001 | | 3-1-10 | Bolt 6.35 x 10 | 2 | 017781-012 | |
| 3-1- 3 | Knee Lifter Bracket | 1 | 155199-001 | | 3-1-11 | Spring | 1 | 155202-001 | |
| 3-1- 4 | Bolt 6.35 x 10 | 1 | 017781-012 | | 3-1-12 | Collar | 2 | 155203-101 | |
| 3-1- 5 | Knee Lifter Bar (S) | 1 | 148797-001 | | 3-1-13 | Bolt 6.35 x 10 | 2 | 017781-012 | |
| 3-1- 6 | Screw 6.35 | 1 | 014780-622 | | 3-2 | Connecting Bar | 1 | 155205-001 | N-3 Knee Lifter Shaft Assembly S01168-001 |
| 3-1- 7 | Knee Lifter Plate (L) | 1 | 148798-001 | | 3-3 | Stud Screw 4.76 | 1 | 146594-001 | |
| 3-1- 8 | Bolt 7.94 | 1 | 100463-001 | | 3-4 | Screw 4.37 x 10 | 4 | 009681-012 | |

- * Differential feed adjustment assembly
- * For semi-submerged mounting S01071-001
- * For fully-submerged mounting S01153-001
- * Differentialtransporteinstellung kompl.
- * Für Montage am halbversenkten Maschinenoberteil S01071-001
- * Für Montage am ganzversenkten Maschinenoberteil S01153-001

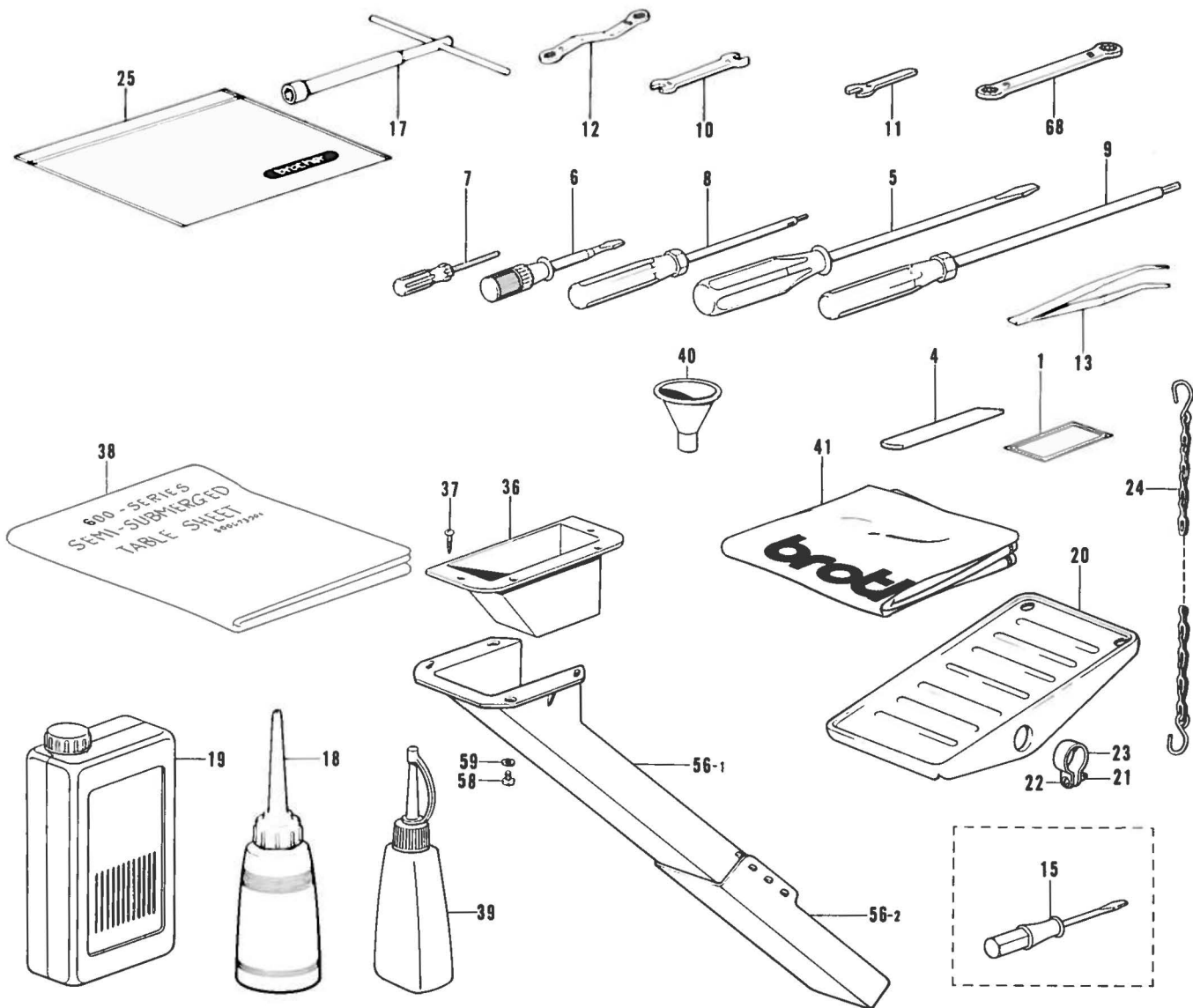
- * Ensemble de réglage de l'entraînement différentiel
- * Pour un montage semi-plongé S01071-001
- * Pour un montage entièrement plongé S01153-001
- * Conjunto de ajuste de transporte diferencial
- * Para montaje semi-sumergido S01071-001
- * Para montaje completamente sumergido S01153-001

N. Shirring Attachment (3) / Kräuselvorrichtung (3)
 Accessoire pour fronces (3) / Accesorio de tundido (3)



| Ref. No. | Name of Parts | Q'ty | Parts No. | Assembly No. | Ref. No. | Name of Parts | Q'ty | Parts No. | Assembly No. |
|----------|------------------------------------|------|------------|--------------------------------------------------------|----------|---------------------------|------|------------|--------------------------------------------------------|
| 5-1-1 | Bracket for Ruffling Blade | 1 | 146588-001 | N-5-1 Piping Wrapper Base Assembly 149202-202 | 5-1-19 | Screw 4.37 | 1 | 110230-001 | N-5-1 Piping Wrapper Base Assembly 149202-202 |
| 5-1-2 | Wrapper Base | 1 | 146589-001 | | 5-1-20 | Nut 4.37 | 1 | 105234-003 | |
| 5-1-3 | Screw 6.35 | 2 | 101706-001 | | 5-1-21 | Spring Plate | 1 | 145811-001 | |
| 5-1-4 | Spring Base | 1 | 146590-001 | | 5-1-22 | Spring Plate | 1 | 145808-001 | |
| 5-1-5 | Screw 5.95 | 2 | 105163-001 | | 5-1-23 | Screw 4.37 x 6 | 2 | 009680-612 | |
| 5-1-6 | Looper Thread Tension Control Stud | 1 | 110820-001 | | 5-1-24 | Spring | 1 | 144764-001 | |
| 5-1-7 | Washer 6.35 | 1 | 025770-232 | | 5-1-25 | Screw 3.57 x 5 | 1 | 001670-512 | |
| 5-1-8 | Spring | 1 | 144788-001 | | 5-1-26 | Thread Guide Pipe | 2 | 146592-001 | |
| 5-1-9 | Tension Spring Washer | 1 | 144105-000 | | 5-1-27 | Screw 3.57 | 2 | 013679-412 | |
| 5-1-10 | Tension Nut | 1 | 149566-002 | | 5-1-28 | Ruffling Plate Lifter | 1 | 148387-001 | |
| 5-1-11 | Ruffler Base | 1 | | | 5-1-29 | Ruffling Blade Base Shaft | 1 | 149203-001 | |
| 5-1-12 | Stud Screw 5.95 | 1 | 147933-001 | | 5-2 | Handle | 1 | 145809-001 | |
| 5-1-13 | Ruffling Blade Guide | 1 | 145807-001 | | 5-3 | Nut 6.35 | 1 | 150556-002 | |
| 5-1-14 | Ruffling Blade Guide (D) | 1 | 154795-001 | | 5-4 | Screw 6.35 x 18 | 2 | 009781-812 | |
| 5-1-15 | Screw 4.37 x 8 | 1 | 009680-812 | | 5-5 | Wrapper Assembly | 1 | S01171-001 | |
| 5-1-16 | Screw 6.35 | 2 | 101706-001 | | 5-6 | Screw 4.37 x 6 | 2 | 009680-612 | |
| 5-1-17 | Handle Fixing Plate | 1 | 145810-001 | | 5-7 | Washer | 2 | 110735-002 | |
| 5-1-18 | Nut 5.95 | 1 | 150553-002 | | | | | | |

Z. Accessories (1) / Zubehör (1)
Accessoires (1) / Accesorios (1)

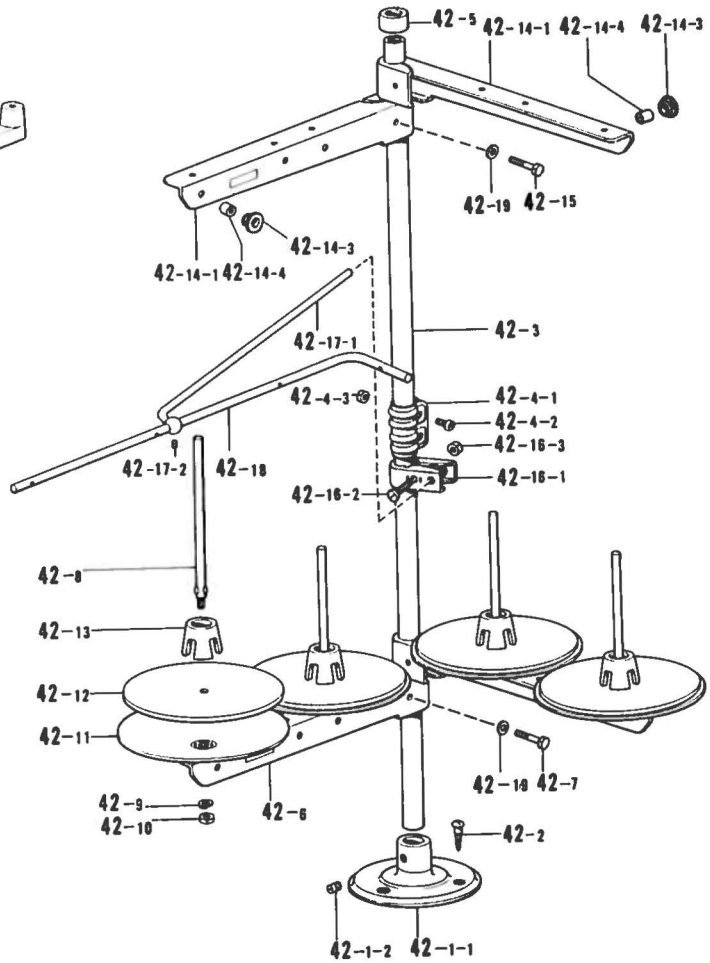
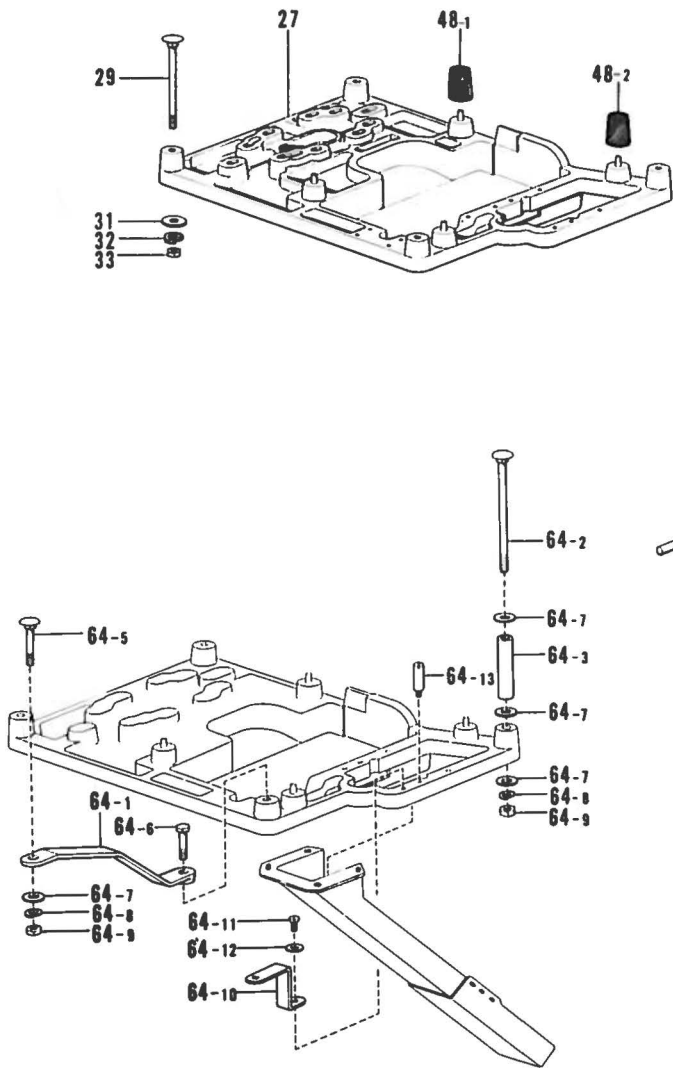


| Ref. No. | Name of Parts | Q'ty | Parts No. | Assembly No. | Ref. No. | Name of Parts | Q'ty | Parts No. | Assembly No. |
|----------|------------------------|------|------------|--------------|----------|------------------|------|------------|------------------------------------------------|
| 1 | Needle DC x 27 | 8 | 151474- | | 22 | Screw 4 x 14 | 2 | 001401-406 | |
| 4 | Lower Knife | 1 | 155193-001 | | 23 | Pedal Stopper | 2 | 116016-001 | |
| 5 | Screw Driver 5.5 x 190 | 1 | 101572-101 | | 24 | Chain Assembly | 1 | 142262-001 | |
| 6 | Screw Driver 3.4 x 70 | 1 | 118837-001 | | 25 | Vinyl Bag | 1 | 122991-001 | |
| 7 | Screw Driver 1.6 | 1 | 144124-001 | | 36 | Duster Drop | 1 | 148430-001 | |
| 8 | Driver Wrench 2 | 1 | 146700-001 | | 37 | Screw 3.1 x 13 | 4 | 031311-302 | |
| 9 | Screw Driver 3 | 1 | 149173-001 | | 38 | Table Sheet | 1 | S00073-001 | |
| 10 | Spanner 6 x 7 | 1 | 107779-001 | | 39 | Silicone Oil | 1 | 156334-001 | |
| 11 | Spanner 4 | 1 | 155320-001 | | 40 | Funnel | 1 | 140759-000 | |
| 12 | Wrench 8 x 9 | 1 | 105343-001 | | 41 | Head Cover | 1 | 144225-002 | |
| 13 | Tweezers | 1 | 117466-000 | | 56-1 | Duster Shoot (L) | 1 | 148431-101 | Z-56 Duster Shoot Assembly 183161-101 |
| 15 | Screw Driver 2.3 x 40 | 1 | 148925-001 | | 56-2 | Duster Shoot (S) | 1 | 148432-001 | |
| 17 | Wrench | 1 | 140342-001 | | 58 | Screw 4.37 x 10 | 4 | 009681-012 | |
| 18 | Oiler | 1 | 114483-002 | | 59 | Washer 4.37 | 4 | 025680-232 | |
| 19 | Oil Tank | 1 | 145277-104 | | 68 | Wrench 8 x 9 | 1 | S00217-001 | |
| 20 | Treadle Pedal | 1 | 147893-002 | | | | | | |
| 21 | Nut 4 | 2 | 021400-106 | | | | | | |

※ The details of included accessories are subject to change.
※ Les détails des accessoires inclus sont sujets à des changements.







※ Änderungen in der Aufstellung der mitgelieferten Zubehöre sind vorbehalten.
※ Los detalles de los accesorios incluidos pueden variar.

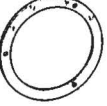
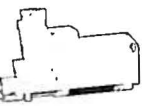




Z. Accessories (2) / Zubehör (2)
 Accessoires (2) / Accesorios (2)





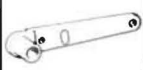
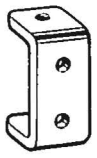







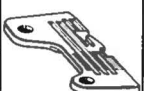

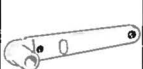
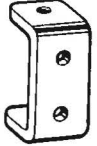
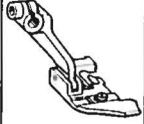
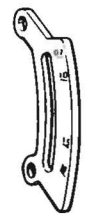
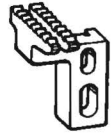
| Ref. No. | Name of Parts | Q'ty | Parts No. | Assembly No. | Ref. No. | Name of Parts | Q'ty | Parts No. | Assembly No. |
|----------|--------------------|------|------------|---------------|----------|--------------------------|------|------------|-----------------|
| 27 | Machine Base Plate | 1 | 155321-100 | | 42-15 | Bolt 5 x 28 | 2 | 017502-803 | |
| 29 | Bolt 8 x 85 | 4 | 210973-001 | | 42-16-1 | Thread Guide Holder | 1 | 150185-001 | Z-42-16 |
| 31 | Washer 8 | 4 | 025080-236 | | 42-16-2 | Bolt 5 x 28 | 1 | 017502-803 | Thread Guide |
| 32 | Spring Washer 2-8 | 4 | 028080-242 | | 42-16-3 | Nut 5 | 1 | 021500-103 | Holder Assembly |
| 33 | Nut 8 | 4 | 021080-106 | | 42-17-1 | Thread Guide Stopper Bar | 1 | 142996-001 | Z-42-17 |
| 42- 1-1 | Cotton Stand Base | 1 | 150189-001 | Z-42-1 | 42-17-2 | Screw 4.76 | 1 | 013719-412 | Thread Guide |
| 42- 1-2 | Screw 6 x 7 | 2 | 150181-101 | Cotton Stand | 42-18 | Thread Guide 4 | 1 | 142998-001 | Stopper Bar |
| 42- 2 | Screw 4.5 x 22 | 3 | 031452-203 | Base Assembly | 42-19 | Washer 5 | 4 | 025050-233 | 142971-001 |
| 42- 3 | Pipe | 2 | 150172-001 | 150139-001 | 48- 1 | Cushion | 1 | 147919-001 | |
| 42- 4-1 | Joint | 1 | 150173-001 | | 48- 2 | Cushion | 3 | 147919-002 | |
| 42- 4-2 | Screw 5 x 14 | 2 | 150202-001 | Z-42-4 | 64- 1 | Head Plate Supporter | 1 | 153319-001 | |
| 42- 4-3 | Nut 5 | 2 | 021500-103 | Joint for | 64- 2 | Bolt | 3 | 153318-001 | |
| 42- 5 | Cap | 1 | | Cotton Stand | 64- 3 | Collar | 3 | 153317-001 | |
| 42- 6 | Spool Holder 2 | 2 | 150178-001 | Assembly 4THF | 64- 5 | Bolt 8 x 55 | 1 | 211964-001 | Z-64 |
| 42- 7 | Bolt 5 x 28 | 2 | 017502-803 | 150161-003 | 64- 6 | Bolt M8 x 55 | 1 | 017085-502 | Full-Submerged |
| 42- 8 | Spool Shaft (B) | 4 | 150179-001 | | 64- 7 | Washer 8 | 16 | 025080-236 | Set |
| 42- 9 | Spring Washer 2-5 | 4 | 028050-243 | | 64- 8 | Spring Washer 2-8 | 5 | 028080-242 | 155324-001 |
| 42-10 | Nut 5 | 4 | 021500-103 | | 64- 9 | Nut 8 | 5 | 021080-106 | (Option Parts) |
| 42-11 | Spool Stand Base | 4 | 150180-000 | | 64-10 | Duster Shoot Supporter | 1 | 155325-001 | |
| 42-12 | Spool Mat | 4 | 150182-000 | | 64-11 | Screw 4.37 x 10 | 1 | 009681-012 | |
| 42-13 | Spool Cushion | 4 | 126863-000 | | 64-12 | Washer 4.37 | 1 | 025680-232 | |
| 42-14-1 | Spool Holder 2 | 2 | 150178-001 | Z-42-14 | 64-13 | Stud | 3 | 155326-001 | |
| 42-14-3 | Thread Hanger | 4 | | Thread Hanger | | | | | |
| 42-14-4 | Thread Bushing | 4 | 142990-001 | Assembly | | | | | |
| | | | | 147055-003 | | | | | |


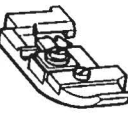







DIFFERENT PARTS LIST / ZUBEHÖRLISTE
 LISTE DES PIÈCES ACCESSOIRES / LISTA DE PIEZAS ACCESORIAS

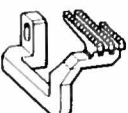








| Ref. No. | | A-19 | A-38 | A-75 | A-105 | B-1 | C-32 |
|----------------|---------------------------------|------------------------------------------------------------------------------------------------------------------|-----------------------------------------------------------------------------------------------------------|----------------------------------------------------------------------------------------------|---------------------------------------------------------------------------------------------|----------------------------------------------------------------------------------------------------|--------------------------------------------------------------------------------------------------------------|
| Sub-Class | Specifications | Stitch Length Control Plate  | Front Cover Assembly  | Oil Cap  | Label  | Crank Shaft  | Needle Clamp Assembly  |
| B681 -022-5 | Thin | S00095-001 | 154857-001 | 143196-001 | 146975-004 | S00033-001 (S00072-001 Assembly No.) | 154910-001 |
| -023-5 | Thin medium (Mock-Safety) | | | | 146975-065 | | |










| Ref. No. | | A-19 | A-38 | A-75 | A-105 | B-1 | C-32 |
|------------------|------------------------|--------------------------------------------------------------------------------------------------------------------|-------------------------------------------------------------------------------------------------------------|------------------------------------------------------------------------------------------------|-----------------------------------------------------------------------------------------------|------------------------------------------------------------------------------------------------------|----------------------------------------------------------------------------------------------------------------|
| Sub-Class | Specifications | Stitch Length Control Plate  | Front Cover Assembly  | Oil Cap  | Label  | Crank Shaft  | Needle Clamp Assembly  |
| B682 -022-5 | Thin | S00095-001 | 154857-001 | 143196-001 | 146975-004 | S00033-001 (S00072-001 Assembly No.) | 154910-001 |
| -031-7 | Heavy | | 154859-001 | | 146975-017 | | 154912-001 |
| -032-7 | Heavy (Mock-Safety) | | 146975-018 | | 154910-001 | | |
| -033-5 | Shirring | S01090-001 | 146975-019 | | | | |
| -037-5 | Piping | S00095-001 | 154857-001 | 143196-001 | 146975-021 | S00032-001 (S00071-001 Assembly No.) | 159880-001 |
| -041-5 | Taping | | | | 146975-023 | | |
| -051-6 | Bulky Knit | S01089-001 | 143196-001 | 143196-001 | 146975-081 | S00032-001 (S00071-001 Assembly No.) | 159880-001 |
| -057- 6 -7 | Bulky | | | | 146975-093 146975-090 | | |



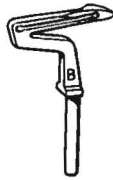



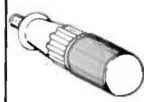

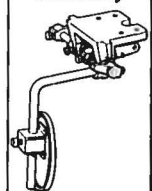
| Ref. No. | C-33 | C-45 | C-55 | D-5 | E-13 | E-16 | E-38 | E-39 | E-40 |
|----------------|--------------------------------------------------------------------------------------------------------|--------------------------------------------------------------------------------------------------------------------------|---------------------------------------------------------------------------------------------------------------|---------------------------------------------------------------------------------------------|-------------------------------------------------------------------------------------------------------------------|-------------------------------------------------------------------------------------------------------------|-----------------------------------------------------------------------------------------------------------|------------------------------------------------------------------------------------------------------|-----------------------------------------------------------------------------------------------------------|
| Sub-Class | Needle DC x 27  | Chain Stitch Needle Guard (F)  | Needle Plate Assembly  | Spacer  | Presser Foot Lifter Lever  | Lever Adjust Plate  | Sub-Presser Arm  | Bolt 3.57 x 8  | Presser Stopper  |
| B681 -022-5 | 151474-011 | 146777-001 | S00241-001 | 154937-001 | S00125-001 | S00126-001 | S00129-001 | 154965-001 | S00132-001 |
| -023-5 | | | | | | | | | |









| Ref. No. | C-33 | C-45 | C-55 | D-5 | E-13 | E-16 | E-50 | F-55 | F-77 |
|----------------|----------------------------------------------------------------------------------------------------------|----------------------------------------------------------------------------------------------------------------------------|-----------------------------------------------------------------------------------------------------------------|-----------------------------------------------------------------------------------------------|---------------------------------------------------------------------------------------------------------------------|---------------------------------------------------------------------------------------------------------------|-------------------------------------------------------------------------------------------------------------------|---------------------------------------------------------------------------------------------------------------------------------|-----------------------------------------------------------------------------------------------------------|
| Sub-Class | Needle DC x 27  | Chain Stitch Needle Guard (F)  | Needle Plate Assembly  | Spacer  | Presser Foot Lifter Lever  | Lever Adjust Plate  | Presser Foot Assembly  | Differential Stitch Control Plate  | Main Feed Dog  |
| B682 -022-5 | 151474-011 | 146777-001 | S00283-001 | 154937-001 | | | S00243-001 | | 146744-001 |
| -031-7 | | | | | S00125-001 | S00126-001 | | S00148-001 | |
| -032-7 | 151474-018 | 146778-001 | S01148-001 | 154938-001 | | | S01132-001 | | S01149-001 |
| -033-5 | | | | | N-6-6 S01074-001 | N-6-7 S01075-001 | S01134-001 | 155174-001 | |
| -037-5 | 151474-011 | | S01150-001 | | | | S01135-001 | | S01145-001 |
| -041-5 | | 146777-001 | | 154937-001 | | | S01136-001 | S00148-001 | |
| -051-6 | | | 156009-001 | | S00125-001 | S00126-001 | | | 146745-001 |
| -057-6 | 151474-014 | | S01190-001 | | | | S00243-001 | 155173-001 | |
| -057-7 | | | 159875-001 | | | | | | 159876-001 |



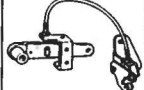

| Ref. No. | E-41 | E-50 | F-55 | F-77 | F-78 | F-79 | G-27 | G-101 | H-9 |
|----------------|----------------------------------------------------------------------------------------------------------|---------------------------------------------------------------------------------------------------------------|------------------------------------------------------------------------------------------------------------------------------|-------------------------------------------------------------------------------------------------------|---------------------------------------------------------------------------------------------------------------|--------------------------------------------------------------------------------------------------------|-------------------------------------------------------------------------------------------------------------------------|----------------------------------------------------------------------------------------------------------|--------------------------------------------------------------------------------------------------------------|
| Sub-Class | Screw 3.18 x 4.5  | Presser Foot Assembly  | Differential Stitch Control Plate  | Main Feed Dog  | Differential Feed Dog  | Chain Feed Dog  | Upper Feed Regulator Plate  | Upper Feed Dog  | Upper Knife Holder  |
| B681 -022-5 | 009669-412 | S00272-001 | S00148-001 | S00145-001 | 156036-001 | S00147-001 | S00168-001 | S00209-001 | 155187-001 |
| -023-5 | | | | | | | | | |

| Ref. No. | F-78 | F-79 | G-27 | G-101 | H-9 | H-10 | H-11 | H-12 | H-13 | |
|--------------------------|-----------------------------------------------------------------------------------------------------------------|----------------------------------------------------------------------------------------------------------|--------------------------------------------------------------------------------------------------------------------------|----------------------------------------------------------------------------------------------------------|--------------------------------------------------------------------------------------------------------------|---------------------------------------------------------------------------------------------------|-----------------------------------------------------------------------------------------------------------------|--------------------------------------------------------------------------------------------------------|------------------------------------------------------------------------------------------------------|------------|
| Sub-Class | Differential Feed Dog  | Chain Feed Dog  | Upper Feed Regulator Plater  | Upper Feed Dog  | Upper Knife Holder  | Screw 4.37  | Upper Knife Presser  | Presser Plate  | Upper Knife  | |
| B682 -022-5 | S00281-001 | 146577-001 | S00239-001 | S00240-001 | 155187-001 | 107407-003 | / | / | / | |
| -031-7 | S01141-001 | | | S01133-001 | | | | | | S01129-001 |
| -032-7 | | | S01094-001 | | | | | | | |
| -033-5 | S01146-001 | | | S01137-001 | | | | | | |
| -037-5 | S01147-001 | | S00239-001 | S01137-001 | | | | | | |
| -041-5 | | | | | | | | | | S01093-001 |
| -051-6 | 156037-001 | | 146578-001 | S01093-001 | | | | | | |
| -057- 6 -7 | 159877-001 | | | | | | | | | 144074-000 |

| Ref. No. | H-10 | H-11 | H-12 | H-13 | H-14 | J-12 | K-13 | M-6 | Z-1 |
|------------|-------------------------------------------------------------------------------------------------|----------------------------------------------------------------------------------------------------------|----------------------------------------------------------------------------------------------------|--------------------------------------------------------------------------------------------------|------------------------------------------------------------------------------------------------|--------------------------------------------------------------------------------------------------|----------------------------------------------------------------------------------------------------|-----------------------------------------------------------------------------------------------|-------------------------------------------------------------------------------------------------------|
| Sub-Class | Screw 4.37  | Upper Knife Presser  | Presser Plate  | Upper Knife  | Bolt 3.57  | Over Looper  | Under Looper  | Spring  | Needle DC x 27  |
| B681-022-5 | 107407-003 | | | 144074-000 | 144075-001 | 155240-001 | 159434-001 | 144104-001 | 151474-011 |
| -023-5 | | | | | | 155242-001 | | | |

| Ref. No. | H-14 | J-12 | K-13 | M-6 | N-2-1 | N-2-2 | N-2-3 | N-2-4 | N-3-1 | | | | | |
|------------|--------------------------------------------------------------------------------------------------|----------------------------------------------------------------------------------------------------|-----------------------------------------------------------------------------------------------------|-----------------------------------------------------------------------------------------------|---------------------------------------------------------------------------------------------------------------------|--------------------------------------------------------------------------------------------------------|------------------------------------------------------------------------------------------------|---------------------------------------------------------------------------------------------------|--------------------------------------------------------------------------------------------------------------------------------|------------|------------|------------|------------|------------|
| Sub-Class | Bolt 3.57  | Over Looper  | Under Looper  | Spring  | Shirring Attachment Assembly  | Screw 6.35 x 18  | Handle  | Nut 6.35  | Differential Feed Adjustment Assembly  | | | | | |
| B682-022-5 | 144075-001 | 155240-001 | 159434-001 | 144104-001 | | | | | | | | | | |
| -031-7 | | | | | | | | | | | | | | |
| -032-7 | | 155243-101 | | 148851-001 | | | | | | | | | | |
| -033-5 | | | | | | | | | | S01069-001 | 009781-812 | 145809-001 | 150556-002 | S01071-001 |
| -037-5 | | 155240-001 | | 144104-001 | | | | | | | | | | |
| -041-5 | | | | | | | | | | | | | | |
| -051-6 | | | | | | | | | | | | | | |
| -057-6 | | 159883-001 | | 159885-001 | | | | | | | | | | |
| -057-7 | | | | | | | | | | | | | | |

| Ref. No. | N-3-2 | N-3-3 | N-3-4 | P-5-1 | P-5-2 | P-5-3 | P-5-4 | P-5-5 |
|-----------------------------------|-----------------------------------------------------------------------------------------------------|------------------------------------------------------------------------------------------------------|------------------------------------------------------------------------------------------------------|-------------------------------------------------------------------------------------------------------------------|---------------------------------------------------------------------------------------------|-------------------------------------------------------------------------------------------------|--------------------------------------------------------------------------------------------------------|---------------------------------------------------------------------------------------------------------|
| Sub-Class | Connecting Bar  | Stud Screw 4.76  | Screw 4.37 x 10  | Piping Wrapper Base Assembly  | Handle  | Nut 6.35  | Screw 6.35 x 18  | Wrapper Assembly  |
| B-682-022-5 | / | / | / | / | / | / | / | / |
| -031-7 | / | / | / | / | / | / | / | / |
| -032-7 | / | / | / | / | / | / | / | / |
| -033-5 | / | / | / | / | / | / | / | / |
| -037-5 | 155205-001 | 146594-001 | 009681-012 | 149202-202 | 145809-001 | 150556-002 | 009781-812 | S01171-001 |
| -041-5 | / | / | / | / | / | / | / | / |
| -051-6 | / | / | / | / | / | / | / | / |
| -057- ⁶ / ₇ | / | / | / | / | / | / | / | / |

| Ref. No. | P-5-6 | P-5-7 | P-6 | Z-1 | | | | |
|-----------------------------------|-------------------------------------------------------------------------------------------------------|-----------------------------------------------------------------------------------------------|-----------------------------------------------------------------------------------------------------------------------|-------------------------------------------------------------------------------------------------------|--|--|--|--|
| Sub-Class | Screw 4.37 x 6  | Washer  | Shirring Interlocking Assembly  | Needle DC x 27  | | | | |
| B-682-022-5 | / | / | / | 151474-011 | | | | |
| -031-7 | / | / | / | 151474-018 | | | | |
| -032-7 | / | / | / | | | | | |
| -033-5 | / | / | / | | | | | |
| -037-5 | 009680-612 | 110735-002 | S01073-002 | 151474-011 | | | | |
| -041-5 | / | / | / | | | | | |
| -051-6 | / | / | / | | | | | |
| -057- ⁶ / ₇ | / | / | / | 151474-014 | | | | |

INDEX / VERZEICHNIS INDEX / INDICE

| Parts No. | Ref. No. | Remark | Parts No. | Ref. No. | Remark | Parts No. | Ref. No. | Remark | Parts No. | Ref. No. | Remark |
|------------|------------|--------|------------|------------|--------|------------|------------|--------|------------|------------|--------|
| S00002-001 | A- 2 | | S00156-000 | G- 4 | | S00275-001 | F-22 | | 001670-512 | N- 2- 1-28 | |
| S00004-000 | A- 3 | | S00157-001 | G- 5 | | S00276-001 | E-20 | | | N- 5- 1-25 | |
| S00007-000 | A- 6 | | S00158-001 | G-10 | | S00278-000 | L-87 | | 001670-612 | | |
| S00008-001 | A- 8 | | S00162-001 | G-11 | | S00281-001 | F-78- 4 | | | M-14 | |
| S00010-000 | A-16 | | S00163-001 | G-13 | | S00283-001 | C-55- 2 | | | M-17 | |
| S00016-001 | A-29 | | S00164-001 | G-16 | | S00284-001 | A-15 | | 001680-512 | C-39 | |
| S00017-001 | A-49 | | S00165-001 | G-18 | | S00285-000 | B- 7 | | | C-41 | |
| S00019-001 | A-86 | | S00166-000 | G-19 | | S00287-000 | B- 8 | | 007670-513 | A-62 | |
| S00021-000 | A-87 | | S00167-001 | G-23 | | S00290-000 | B- 9 | | 007681-012 | A-114 | |
| S00022-001 | A-91 | | S00168-001 | G-27- 1 | | S00297-001 | B-10 | | 009630-812 | F-76 | |
| S00032-001 | B- 1 | | S00169-001 | G-28 | | S00305-000 | L-62 | | 009639-312 | E-50- 1- 7 | |
| S00033-001 | B- 1 | | S00170-001 | G-33 | | S00313-000 | G- 8 | | 009660-512 | A-108 | |
| S00034-001 | B-19 | | S00171-001 | G-35 | | S00322-001 | L-80 | | 009660-612 | J-13 | |
| S00037-001 | C- 1 | | S00172-001 | G-36 | | S00333-000 | A-71 | | 009660-712 | N- 2- 1-12 | |
| S00038-001 | C- 1- 5 | | S00173-001 | G-39 | | S00334-000 | A-30 | | 009669-312 | F-45 | |
| S00041-000 | C- 5 | | S00174-001 | G-40 | | S00341-001 | E-50- 3- 5 | | | E-47 | |
| S00042-000 | C- 8 | | S00175-001 | G-41 | | S00356-001 | J-20 | | 009669-412 | E-41 | |
| S00046-001 | C-27 | | S00176-001 | G-43 | | | K-16 | | 009670-412 | A-38- 1- 8 | |
| S00047-001 | C-28 | | S00177-001 | G-45 | | S00373-001 | F-20 | | | A-38- 2- 8 | |
| S00048-001 | C-30 | | S00178-001 | G-47 | | S00379-000 | J- 8 | | 009670-512 | G-12 | |
| S00049-001 | C-22 | | S00179-000 | G-49 | | S00383-001 | J-21 | | | L-38 | |
| S00050-001 | E- 1 | | S00180-000 | G-50 | | | K-17 | | 009670-612 | A-41 | |
| S00051-001 | E- 2 | | S00181-001 | G-52 | | S00389-000 | C-31 | | | A-59 | |
| | G-91 | | S00182-001 | G-53 | | S01057-001 | N- 2- 1-10 | | | C-46 | |
| S00052-001 | E- 3 | | S00183-000 | G-55 | | S01068-002 | N- 2 | | | F-10 | |
| S00054-001 | E- 8 | | S00184-001 | G-56 | | S01069-002 | N- 2- 1 | | | G-54 | |
| S00055-001 | E- 9 | | S00185-001 | G-58 | | S01071-001 | N- 3- 1 | | | G-57 | |
| S00057-001 | L- 2 | | S00186-001 | G-60 | | S01072-001 | N- 3- 1- 2 | | | H-25 | |
| S00065-001 | L-47 | | S00187-001 | G-63 | | S01073-002 | N- 6 | | | L- 2- 9 | |
| S00067-001 | L-52 | | S00188-001 | G-64 | | S01074-001 | N- 6- 6 | | | L-16 | |
| S00071-001 | B- 1 | | S00189-001 | G-69 | | S01075-001 | N- 6- 7 | | | L-60 | |
| S00072-001 | B- 1 | | S00190-000 | G-70 | | S01080-001 | E-28 | | | L-70 | |
| S00073-001 | Z-38 | | S00191-000 | G-72 | | S01081-001 | E-29 | | | M-12 | |
| S00075-000 | A-107 | | S00192-001 | G-74 | | S01082-001 | E- 6 | | | M-23 | |
| S00076-001 | A-110 | | S00193-001 | G-76 | | S01083-001 | E-43 | | | M-25 | |
| S00077-000 | A-113 | | S00194-001 | G-78 | | S01084-001 | E-44 | | | M-27 | |
| S00082-001 | N- 6- 1 | | S00195-001 | G-79 | | S01086-001 | E-46 | | | M-29 | |
| S00083-001 | N- 6- 1- 3 | | S00196-001 | G-80 | | S01089-001 | A-19- 2 | | | M-31 | |
| S00092-001 | A- 5 | | S00197-001 | G-81 | | S01090-001 | A-19- 3 | | | M-33 | |
| S00093-001 | A-12 | | S00198-001 | G-83 | | | | | | N- 6- 5 | |
| S00094-000 | A-13 | | S00199-001 | G-85 | | S01093-001 | G-27- 3 | | 009670-812 | A-37 | |
| S00095-001 | A-19- 1 | | S00200-001 | G-85- 1 | | S01094-001 | G-27- 4 | | | B- 5 | |
| S00098-001 | A-27 | | S00201-001 | G-85- 2 | | S01129-001 | G-101- 3 | | | C-26 | |
| S00099-100 | A-28 | | S00202-001 | G-86 | | S01131-001 | G-101- 4 | | | C-44 | |
| S00101-001 | A-48 | | S00203-001 | G-87 | | S01132-001 | E-50- 3 | | | F-19 | |
| S00103-001 | A-63 | | S00204-001 | G-89 | | S01133-001 | G-101- 5 | | 009671-012 | A-115 | |
| S00104-001 | A-69 | | S00205-001 | G-90 | | S01134-001 | E-50- 4 | | | D-12 | |
| S00105-101 | A-70 | | S00207-000 | G-92 | | S01135-001 | E-50- 5 | | 009671-412 | A-60 | |
| S00108-001 | A-73 | | S00208-001 | G-100 | | S01136-001 | E-50- 6 | | 009671-812 | A-72 | |
| S00121-001 | C- 3 | | S00209-001 | G-101- 1 | | S01137-001 | G-101- 6 | | 009680-512 | A-39 | |
| S00122-001 | C-24 | | S00210-000 | H- 7 | | S01141-001 | F-78- 3 | | 009680-612 | A-92 | |
| S00125-001 | E-13 | | S00211-001 | L-10 | | S01145-001 | F-77- 4 | | | N- 2- 1-26 | |
| S00126-001 | E-16 | | S00213-000 | L-61 | | S01146-001 | F-78- 2 | | | N- 5- 1-23 | |
| S00127-000 | E-27 | | S00215-001 | M-11 | | S01147-001 | F-78- 6 | | | N- 5- 6 | |
| S00128-001 | E-33 | | | | | S01148-001 | C-55- 3 | | 009680-712 | A- 7 | |
| S00129-001 | E-38 | | S00217-001 | Z-68 | | S01149-001 | F-77- 5 | | | A-32 | |
| S00132-001 | E-40 | | | | | S01150-001 | C-55- 7 | | | C-29 | |
| S00133-001 | F- 1 | | | | | | | | | E-17 | |
| S00140-001 | F-12 | | | | | | | | | F-28 | |
| S00141-000 | F-15 | | S00238-001 | E-50- 2- 4 | | | | | | G-75 | |
| S00142-001 | F-30 | | | E-50- 4- 4 | | | | | 009680-812 | J-11 | |
| S00143-001 | F-32 | | | E-50- 5- 4 | | S01168-001 | N- 3 | | | N- 2- 1-17 | |
| S00144-001 | F-37 | | | E-50- 6- 4 | | S01170-001 | N- 5 | | | N- 5- 1-15 | |
| S00145-001 | F-77- 1 | | S00239-001 | G-27- 2 | | S01171-001 | N- 5- 5 | | 009681-012 | A-18 | |
| S00146-000 | A-77 | | S00240-001 | G-101- 2 | | S01190-001 | C-55- 6 | | | B-18 | |
| S00147-001 | F-79- 1 | | S00241-001 | C-55- 1 | | | | | | N- 3- 4 | |
| S00148-001 | F-55- 1 | | S00243-001 | E-50- 2 | | 001401-406 | Z-22 | | | Z-58 | |
| S00153-001 | F-65 | | | | | 001670-512 | A-52 | | | Z-64-11 | |
| S00154-001 | G- 1 | | S00272-001 | E-50- 1 | | | A-54 | | 009681-212 | A- 4 | |
| S00155-000 | G- 3 | | S00274-001 | H- 3 | | | G-48 | | | L- 3 | |

| Parts No. | Ref. No. | Remark | Parts No. | Ref. No. | Remark | Parts No. | Ref. No. | Remark | Parts No. | Ref. No. | Remark |
|------------|------------|--------|------------|------------|--------|------------|------------|--------|------------|------------|--------|
| 009761-212 | G-44 | | 048040-342 | G-82 | | 112351-001 | L- 8 | | 144081-001 | E- 4 | |
| 009681-612 | H-10- 2 | | 081008-070 | L- 2-10 | | | L-25 | | 144088-001 | E-34 | |
| 009781-812 | N- 2- 2 | | 081016-070 | L-53 | | 112359-001 | L-81 | | 144103-003 | M- 5 | |
| | N- 5- 4 | | 081022-070 | L-28 | | | L-84 | | 144104-001 | M- 6 | |
| 013679-412 | N- 2- 1-30 | | 100032-003 | A-50 | | 112364-001 | L-11 | | 144105-000 | M- 8 | |
| | N- 5- 1-27 | | | C-49 | | | L-19 | | | N- 2- 1- 8 | |
| 013719-412 | B-24 | | 100080-004 | E-50- 1- 4 | | | L-22 | | | N- 5- 1- 9 | |
| | Z-42-17- 2 | | 100257-010 | D- 4 | | 112525-000 | L-58 | | 144110-001 | M- 7 | |
| 013760-612 | A-76 | | 100260-001 | C- 4 | | 112750-000 | L-64 | | 144124-001 | Z- 7 | |
| 014680-422 | C- 7 | | 100294-002 | F-52 | | 113431-002 | F- 7 | | 144225-002 | Z-41 | |
| | F- 1- 3 | | | G-24 | | | F-35 | | 144764-001 | N- 2- 1-27 | |
| | F- 2 | | 100366-001 | C- 1- 4 | | | G-65 | | | N- 5- 1-24 | |
| | G-10- 4 | | | H- 1- 4 | | 114483-002 | Z-18 | | 144784-001 | N- 2- 1-11 | |
| | G-21 | | 100463-001 | N- 3- 1- 8 | | 116016-001 | Z-23 | | 144788-001 | N- 2- 1- 7 | |
| | G-46 | | 100645-003 | F-22 | | 117160-001 | A-43 | | | N- 5- 1- 8 | |
| | G-62 | | 101572-101 | Z- 5 | | 117466-000 | Z-13 | | 145277-104 | Z-19 | |
| | J- 9- 1- 3 | | 101706-001 | A-47- 2 | | 117516-001 | F-75 | | 145446-001 | M- 4 | |
| | K-14 | | | F-69- 2 | | | H-22 | | 145803-001 | N- 2- 1- 2 | |
| 014680-622 | F-66 | | | N- 2- 1-19 | | 118735-002 | F-57 | | 145807-001 | N- 2- 1-15 | |
| | L- 2- 7 | | | N- 5- 1- 3 | | | G-29 | | | N- 5- 1-13 | |
| 014770-622 | F- 1-12- 4 | | | N- 5- 1-16 | | 118770-001 | F- 6 | A-78 | 145808-001 | N- 2- 1-25 | |
| | F-13 | | 102538-002 | L-30 | | 118837-001 | Z- 6 | | | N- 5- 1-22 | |
| | F-29- 2 | | 102627-001 | H-19 | | 122991-001 | Z-25 | | 145809-001 | N- 2- 3 | |
| | G- 2 | | 104449-001 | G-15 | | 123185-001 | A-45 | | | N- 5- 2 | |
| 014780-622 | A-94 | | | G-68 | | 126863-000 | Z-42-13 | | 145810-001 | N- 2- 1-20 | |
| | F-26 | | 104450-001 | A-64 | | 140063-001 | F-54 | | | N- 5- 1-17 | |
| | N- 3- 1- 6 | | 105163-001 | N- 2- 1- 4 | | | G-26 | | 145811-001 | N- 2- 1-24 | |
| 017085-502 | Z-64- 6 | | | N- 5- 1- 5 | | 140065-001 | G-71 | | | N- 5- 1-21 | |
| 017502-803 | Z-42- 7 | | 105176-001 | F-68 | | 140066-001 | A-81 | | 146315-000 | A-80 | |
| | Z-42-15 | | 105234-003 | A-68 | | 140077-001 | A-90 | | | A-84 | |
| | Z-42-16- 2 | | | N- 2- 1-23 | | 140092-001 | C- 6 | | 146354-001 | E-10 | |
| 017771-412 | B-23 | | | N- 5- 1-20 | | 140210-001 | F-38 | | 146427-001 | C-32- 1- 2 | |
| | G-14 | | 105288-001 | A-20 | | 140217-001 | F-43 | | | C-32- 3- 2 | |
| | G-67 | | | M-21 | | 140262-000 | E-26 | | | C-32- 4- 2 | |
| 017771-612 | A-88 | | 105343-001 | Z-12 | | 140317-000 | L-66 | | | G-38 | |
| | C-24- 2 | | 106568-003 | F-63 | | 140320-000 | L-63 | | | G-88 | |
| | G-59 | | | J-17 | | 140327-001 | L-47- 2 | | 146442-001 | A-38- 1- 4 | |
| 017781-012 | N- 3- 1- 4 | | 107231-002 | E-35 | | 140342-001 | Z-17 | | | A-38- 2- 4 | |
| | N- 3- 1-10 | | 107407-003 | A-14 | | 140361-001 | A-82 | | 146450-001 | A-53 | |
| | N- 3- 1-13 | | | F-23 | | 140417-000 | L-67 | | 146452-001 | A-56 | |
| 017781-412 | F-58 | | | F-64 | | 140430-001 | L-68 | | 146453-001 | A-57 | |
| | G-30 | | | H-10- 1 | | 140759-000 | Z-40 | | 146454-001 | A-58 | |
| 017782-512 | C-37 | | 107779-001 | Z-10 | | 141183-000 | A-46 | | 146494-001 | C-38 | |
| 021080-106 | Z-33 | | 108549-001 | L-39 | | 141514-001 | N- 6- 1- 2 | | 146495-001 | C-40 | |
| | Z-64- 9 | | 108960-002 | A-74 | | | N- 6- 3 | | 146536-001 | F- 9 | |
| 021400-106 | Z-21 | | 109153-001 | G-61 | | 141542-001 | E-37 | | 146547-000 | F-24 | |
| 021500-103 | Z-42- 4- 3 | | 109203-001 | A- 9 | | 141598-001 | E- 7 | | 146559-001 | F-49 | |
| | Z-42-10 | | | F-53 | | | | | | G-22 | |
| | Z-42-16- 3 | | | G-25 | | 142243-000 | E-50- 2- 3 | | 146563-001 | F-56 | |
| 021670-202 | A-61 | | | L-57 | | | E-50- 4- 3 | | 146577-001 | F-79- 2 | |
| 025030-132 | A-109 | | 110161-006 | E-19 | | | E-50- 5- 3 | | 146578-001 | F-79- 3 | |
| | E-50- 1- 3 | | 110230-001 | N- 2- 1-22 | | | E-50- 6- 3 | | 146584-001 | H-23 | |
| 025050-233 | Z-42-19 | | | N- 5- 1-19 | | | | | 146588-001 | N- 2- 1- 1 | |
| 025080-236 | Z-31 | | 110641-002 | L-56 | | 142247-001 | E-50- 2- 5 | | | N- 5- 1- 1 | |
| | Z-64- 7 | | 110735-002 | N- 5- 7 | | | E-50- 4- 5 | | 146589-001 | N- 5- 1- 2 | |
| | | | 110793-001 | E-21 | | | E-50- 5- 5 | | 146590-001 | N- 2- 1- 3 | |
| 025660-132 | E-48 | | | G-84 | | | E-50- 6- 5 | | | N- 5- 1- 4 | |
| 025680-232 | Z-59 | | 110813-001 | M-10 | | | | | 146592-001 | N- 2- 1-29 | |
| | Z-64-12 | | 110820-001 | N- 2- 1- 5 | | | | | | N- 5- 1-26 | |
| 025770-232 | N- 2- 1- 6 | | | N- 5- 1- 6 | | 142262-001 | Z-24 | | 146594-001 | N- 3- 3 | |
| | N- 5- 1- 7 | | 110832-001 | M- 3 | | 142274-001 | A-79 | | 146597-101 | A-111 | |
| 028050-243 | Z-42- 9 | | 111486-001 | C-42 | | 142971-001 | Z-42-17 | | 146598-001 | A-112 | |
| 028080-242 | Z-32 | | 112301-001 | N- 6- 1- 5 | | 142990-001 | Z-42-14- 4 | | 146654-001 | M-30 | |
| | Z-64- 8 | | 112348-001 | L- 9 | | 142996-001 | Z-42-17- 1 | | 146700-001 | Z- 8 | |
| 031311-302 | Z-37 | | | L-12 | | 142998-001 | Z-42-18 | | 146740-000 | D- 3- 3 | |
| 031452-203 | Z-42- 2 | | | L-20 | | 143196-001 | A-75 | | 146744-001 | F-77- 2 | |
| 047140-642 | A-38- 1- 5 | | | L-23 | | 143325-001 | E-15 | | 146745-001 | F-77- 3 | |
| | A-38- 2- 5 | | | L-31 | | 143766-001 | A-34 | | 146777-001 | C-45- 1 | |
| 047201-640 | D-11- 2 | | | L-82 | | 144074-000 | H-13- 1 | | 146778-001 | C-45- 2 | |
| 048040-342 | F- 8 | | | L-85 | | 144075-001 | H-14- 1 | | 146887-001 | E-50- 1- 5 | |

| Parts No. | Ref. No. | Remark | Parts No. | Ref. No. | Remark | Parts No. | Ref. No. | Remark | Parts No. | Ref. No. | Remark |
|------------|-------------|--------|------------|------------|--------|------------|------------|--------|------------|------------|--------|
| 146888-001 | E-50- 1- 6 | | 149170-001 | G-77 | | 154869-000 | B- 4 | | 155177-000 | F-61 | |
| 146903-001 | E-50- 1- 2 | | | H- 1- 5- 2 | | 154875-001 | B-11 | | 155178-001 | F-62 | |
| 146924-000 | A-42- 2 | | | J- 9- 1- 5 | | 154876-001 | B-12 | | 155180-001 | F-67 | |
| | | | 149171-001 | K-11 | | 154877-001 | B-13 | | 155181-001 | H- 1 | |
| 146926-002 | M-24 | | 149173-001 | Z- 9 | | 154878-001 | B-14 | | 155186-000 | H- 6 | |
| 146926-003 | M-22 | | 149202-202 | N- 5- 1 | | 154879-000 | B-15 | | 155187-001 | H- 9- 1 | |
| 146975-004 | A-105 | | 149203-001 | N- 5- 1-29 | | 154880-001 | B-16 | | 155191-001 | H-15 | |
| 146975-017 | A-105 | | 149566-002 | M- 9- 1- 1 | | 154881-000 | B-17 | | 155193-001 | H-20 | |
| 146975-018 | A-105 | | | M- 9- 2- 1 | | 154885-001 | B-20 | | | Z- 4 | |
| 146975-019 | A-105 | | | M- 9- 3- 1 | | 154886-001 | B-21 | | 155194-001 | H-21 | |
| 146975-021 | A-105 | | | M- 9- 4- 1 | | 154887-001 | B-22 | | 155195-001 | H-24 | |
| 146975-023 | A-105 | | | N- 2- 1- 9 | | 154901-001 | C-21 | | 155197-001 | N- 3- 1- 1 | |
| 146975-081 | A-105 | | | N- 5- 1-10 | | 154910-001 | C-32- 1 | | 155199-001 | N- 3- 1- 3 | |
| 146975-090 | A-105 | | 150106-001 | Z-42- 4 | | 154912-001 | C-32- 3 | | 155201-001 | N- 3- 1- 9 | |
| 146975-093 | A-105 | | 150139-001 | Z-42- 1 | | | | | 155202-001 | N- 3- 1-11 | |
| 147055-003 | Z-42-14 | | 150145-001 | Z-42-16 | | 154922-001 | C-35 | | 155203-101 | N- 3- 1-12 | |
| 147362-000 | L-65 | | 150161-003 | Z-42 | | 154923-001 | C-36 | | 155205-001 | N- 3- 2 | |
| 147672-001 | N- 6- 4 | | 150172-001 | Z-42- 3 | | 154930-001 | D- 3 | | 155225-001 | J- 1 | |
| 147738-000 | D- 3- 4 | | 150178-001 | Z-42- 6 | | 154931-000 | D- 3- 1 | | | K- 1 | |
| 147893-002 | Z-20 | | | Z-42-14- 1 | | 154932-000 | D- 3- 2 | | 155228-001 | J- 3 | |
| 147919-001 | Z-48- 1 | | 150179-001 | Z-42- 8 | | 154937-001 | D- 5- 1 | | 155229-000 | J- 5 | |
| 147919-002 | Z-48- 2 | | 150180-000 | Z-42-11 | | 154938-001 | D- 5- 2 | | 155231-001 | J- 9 | |
| 147933-001 | N- 2- 1-14 | | 150181-101 | Z-42- 1- 2 | | 154939-000 | D- 6 | | 155238-000 | J-10 | |
| | N- 5- 1-12 | | 150182-000 | Z-42-12 | | 154940-000 | D- 7 | | 155240-001 | J-12- 1 | |
| 147942-001 | D-10 | | 150185-001 | Z-42-16- 1 | | 154941-000 | D- 8 | | 155242-001 | J-12- 2 | |
| 148015-001 | E-50- 3- 2 | | 150189-001 | Z-42- 1- 1 | | 154943-001 | D-11 | | 155243-101 | J-12- 3 | |
| | E-50- 3- 6 | | 150202-001 | Z-42- 4- 2 | | 154945-001 | D-11- 3 | | 155244-001 | K- 3 | |
| 148016-001 | E-50- 3- 3 | | 150553-002 | N- 2- 1-21 | | 154957-001 | E-24 | | 155245-000 | K- 5 | |
| 148085-001 | A-85 | | | N- 5- 1-18 | | 154961-001 | E-30 | | 155246-000 | K- 8 | |
| 148259-001 | E-36 | | 150556-002 | N- 2- 4 | | 154962-001 | E-31 | | 155247-000 | J-14 | |
| 148281-001 | H- 8 | | | N- 5- 3 | | 154965-001 | E-39 | | | K- 9 | |
| 148294-001 | B-25 | | 150756-000 | G- 7 | | | E-50- 2- 6 | | 155248-001 | K-10 | |
| | G-37 | | 151474-011 | C-33 | | | E-50- 3- 7 | | 155282-001 | L-21 | |
| | G-42 | | | Z- 1 | | | E-50- 4- 6 | | 155283-000 | D- 9 | |
| | L-54 | | 151474-014 | Z- 1 | | | E-50- 5- 6 | | 155284-001 | L-24 | |
| 148343-001 | H-11 | | 151474-018 | C-33 | | | E-50- 6- 6 | | 155286-101 | L-26 | |
| 148344-001 | H-12 | | | Z- 1 | | | | | 155290-000 | L-27 | |
| 148355-001 | C-55- 1- 3 | | 151626-001 | G-51 | | | | | 155291-001 | L-29 | |
| | C-55- 2- 3 | | 152194-001 | A-38- 1- 7 | | 155132-001 | F- 1-10 | | 155292-001 | L-13 | |
| | C-55- 4- 3 | | | A-38- 2- 7 | | 155133-001 | F- 1-11 | | 155294-000 | L-36 | |
| | C-55- 7- 3 | | 152718-001 | G- 6 | | 155138-001 | F- 4 | | 155295-001 | L-37 | |
| 148372-001 | E-14 | | | H- 4- 2 | | 155139-001 | F- 5 | | 155305-101 | M-13 | |
| 148387-001 | N- 2- 1-18 | | 152936-001 | L-59 | | 155141-000 | F-14 | | 155306-001 | M-15 | |
| | N- 5- 1-28 | | 153317-001 | Z-64- 3 | | 155143-000 | F-16 | | 155307-101 | M-18 | |
| 148388-001 | N- 6- 1- 1 | | 153318-001 | Z-64- 2 | | 155144-001 | F-17 | | 155308-101 | M-19 | |
| 148390-001 | N- 6- 1- 4 | | 153319-001 | Z-64- 1 | | 155145-000 | F-18 | | 155310-001 | M-20 | |
| 148391-001 | N- 6- 2 | | 153483-001 | E-18 | | 155151-000 | F-21 | | 155311-001 | M-26 | |
| 148425-001 | B-10- 2 | | 153675-001 | E-32 | | 155152-001 | F-25 | | 155312-001 | M-28 | |
| | C- 1- 2 | | 154795-001 | N- 2- 1-16 | | 155153-000 | F-27 | | 155313-001 | M-32 | |
| | H- 1- 2 | | | N- 5- 1-14 | | 155156-001 | F-33 | | 155320-001 | Z-11 | |
| | J- 1- 2 | | 154819-000 | A-35 | | 155157-001 | F-34 | | 155321-100 | Z-27 | |
| | J- 9- 2- 3 | | 154820-000 | A-36 | | | F-42 | | 155325-001 | Z-64-10 | |
| | K- 1- 2 | | 154821-001 | A-40 | | 155159-001 | F-39 | | 155326-001 | Z-64-13 | |
| 148430-001 | Z-36 | | 154823-001 | A-42 | | 155162-001 | F-39- 1- 3 | | 155340-001 | A-104 | |
| 148431-101 | Z-56- 1 | | 154829-001 | A-44 | | | J- 9- 1- 6 | | 155348-000 | F-11 | |
| 148432-001 | Z-56- 2 | | 154832-001 | A-51 | | 155164-001 | F-40 | | 155516-001 | F-47 | |
| 148782-001 | K-12 | | 154833-001 | A-55 | | 155165-001 | F-41 | | | J- 2 | |
| 148797-001 | N- 3- 1- 5 | | 154835-001 | A-67 | | 155166-001 | F-44 | | | K- 2 | |
| 148798-001 | N- 3- 1- 7 | | 154841-001 | A-83 | | 155167-001 | F-45 | | 155520-000 | A-15- 2 | |
| 148838-001 | F-36 | | | G-73 | | | G-17 | | 155533-001 | G-20 | |
| | G-66 | | 154849-001 | A-102 | | 155168-001 | F-46 | | 155552-001 | L-69 | |
| 148851-001 | M- 6- 2 | | 154854-001 | A-38- 1- 2 | | 155169-001 | F-48 | | 155560-001 | F-70 | |
| 148925-001 | Z-15 | | | A-38- 2- 2 | | 155170-000 | F-50 | | 155696-001 | M- 9- 1 | |
| 149170-001 | C- 1- 5- 2 | | 154855-000 | A-38- 1- 3 | | 155171-001 | F-51 | | 155696-002 | M- 9- 2 | |
| | E-23 | | | A-38- 2- 3 | | 155173-001 | F-55- 2 | | 155696-003 | M- 9- 3 | |
| | F- 1-12-2-2 | | 154856-000 | A-38- 1- 6 | | 155174-001 | F-55- 3 | | 155696-004 | M- 9- 4 | |
| | F-31 | | | A-38- 2- 6 | | 155175-001 | F-59 | | 155697-001 | M- 9- 1- 2 | |
| | F-39- 1- 2 | | 154857-001 | A-38- 1 | | | G-31 | | 155697-002 | M- 9- 2- 2 | |
| | G-10- 5 | | 154859-001 | A-38- 2 | | 155176-001 | F-60 | | 155697-003 | M- 9- 3- 2 | |
| | G-34 | | 154868-001 | B- 3 | | | G-32 | | 155697-004 | M- 9- 4- 2 | |

| Parts No. | Ref. No. | Remark | Parts No. | Ref. No. | Remark | Parts No. | Ref. No. | Remark | Parts No. | Ref. No. | Remark |
|------------|------------|--------|-----------|----------|--------|-----------|----------|--------|-----------|----------|--------|
| 155993-001 | C-55- 1- 1 | | | | | | | | | | |
| | C-55- 2- 1 | | | | | | | | | | |
| 156009-001 | C-55- 4 | | | | | | | | | | |
| 156014-001 | C-55- 4- 1 | | | | | | | | | | |
| | C-55- 7- 1 | | | | | | | | | | |
| 156036-001 | F-78- 1 | | | | | | | | | | |
| 156037-001 | F-78- 5 | | | | | | | | | | |
| 156318-001 | H- 1- 5 | | | | | | | | | | |
| 156334-001 | Z-39 | | | | | | | | | | |
| 156426-000 | L- 2- 3 | | | | | | | | | | |
| 156427-001 | L- 2- 4 | | | | | | | | | | |
| 156428-000 | L- 2- 6 | | | | | | | | | | |
| 156429-001 | L- 2- 5 | | | | | | | | | | |
| 156430-001 | L- 2- 8 | | | | | | | | | | |
| 156432-001 | L- 1 | | | | | | | | | | |
| 156469-001 | L- 7 | | | | | | | | | | |
| 156476-000 | J-15 | | | | | | | | | | |
| 156491-001 | J-16 | | | | | | | | | | |
| 156809-001 | F-29 | | | | | | | | | | |
| 156897-001 | L-83 | | | | | | | | | | |
| 158433-001 | C-43 | | | | | | | | | | |
| 159434-001 | K-13- 1 | | | | | | | | | | |
| 159441-001 | H- 4 | | | | | | | | | | |
| 159476-000 | A-89 | | | | | | | | | | |
| 159574-001 | M- 1 | | | | | | | | | | |
| 159638-001 | C-23 | | | | | | | | | | |
| 159875-001 | C-55- 5 | | | | | | | | | | |
| 159876-001 | F-77- 6 | | | | | | | | | | |
| 159877-001 | F-78- 7 | | | | | | | | | | |
| 159880-001 | C-32- 4 | | | | | | | | | | |
| 159883-001 | J-12- 4 | | | | | | | | | | |
| 181969-003 | A-47 | | | | | | | | | | |
| | F-69 | | | | | | | | | | |
| 183161-101 | Z-56 | | | | | | | | | | |
| 210973-001 | Z-29 | | | | | | | | | | |
| 211964-001 | Z-64- 5 | | | | | | | | | | |
| | | | | | | | | | | | |
| S00371-000 | F-20- 2- 1 | | | | | | | | | | |
| S00372-000 | F-20- 2- 2 | | | | | | | | | | |
| 001670-712 | A-65 | | | | | | | | | | |
| 105161-003 | A-66 | | | | | | | | | | |
| 113050-001 | H-14- 2 | | | | | | | | | | |
| 146427-001 | C-25 | | | | | | | | | | |
| 148815-001 | H-13- 2 | | | | | | | | | | |
| 150173-001 | Z-42- 4- 1 | | | | | | | | | | |
| 155324-001 | Z-64 | | | | | | | | | | |
| 155489-001 | H- 9- 2 | | | | | | | | | | |
| 159885-001 | K-13- 2 | | | | | | | | | | |
| | | | | | | | | | | | |
| | | | | | | | | | | | |
| | | | | | | | | | | | |
| | | | | | | | | | | | |
| | | | | | | | | | | | |
| | | | | | | | | | | | |
| | | | | | | | | | | | |
| | | | | | | | | | | | |
| | | | | | | | | | | | |
| | | | | | | | | | | | |
| | | | | | | | | | | | |
| | | | | | | | | | | | |
| | | | | | | | | | | | |
| | | | | | | | | | | | |
| | | | | | | | | | | | |
| | | | | | | | | | | | |
| | | | | | | | | | | | |
| | | | | | | | | | | | |
| | | | | | | | | | | | |
| | | | | | | | | | | | |
| | | | | | | | | | | | |
| | | | | | | | | | | | |
| | | | | | | | | | | | |
| | | | | | | | | | | | |
| | | | | | | | | | | | |
| | | | | | | | | | | | |

